

KEYLIGHT

PINO DUO

PRODUCT MATERIAL	Die-cast aluminium
LIGHT SOURCE	Bridgelux V8 Array
MODULE LIFETIME	Approx. 50.000 hours
DRIVER	Including phase cut dimmable driver
COLORS (Δ)	○ 3 = RAL 9003 white ● 5 = RAL 9005 black
BEAM ANGLE	▲ 33°
ADJUSTABLE	Horizontally and vertically rotational
SIZE	See technical drawing

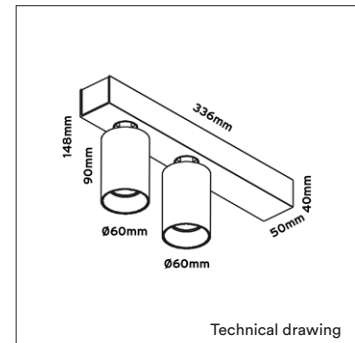


OPTIONS

OPTIONAL BEAM ANGLE	▲ 22° Art. no.: 2 X 3056.010.22.0
	▲ 50° Art. no.: 2 X 3056.010.50.0
ANTI-GLARE RING	Black anti-glare ring Included
	Gold anti-glare ring Art. no.: 2 X 3056.922.99.9
HONEYCOMB	Art. no.: 2 X 3056.933.94.0
DRIVER OPTIONS	1/10V 500mA 13-20W Art. no.: 0120.500.30.3
	DALI 500mA 12-27W Art. no.: 0136.500.40.0

INFORMATION

⚠ Full warranty only applies when fixture is purchased in combination with recommended driver.



ANTI-GLARE RING



HONEYCOMB



ARTICLE NUMBER	LAMP TYPE	BRAND	LUMINOUS FLUX	OUTPUT POWER	MODULE EFFICIENCY	COLOR TEMPERATURE	CRI	TC LIFETIME	mA
5031.200.33.Δ	V8 Array	Bridgelux	2 X 745lm	2 X 9,2W	81lm/W	2700K	>90	35.000 Hrs	500mA

Keylight International reserves the right to modify or change technical, construction or LED specifications due to continuous improvements of our products and light sources.