

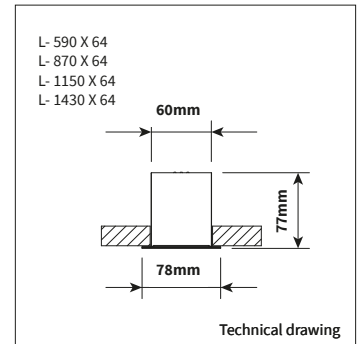


<b>PRODUCT MATERIAL</b>	Aluminium profile
<b>LIGHT SOURCE</b>	Philips Ledline
<b>MODULE LIFETIME</b>	Approx. 50.000 hours
<b>DRIVER LEDLINE</b>	Including Philips Xitanium driver
<b>CCOLORS (Δ)</b>	<ul style="list-style-type: none"> <li>○ 3 = RAL 9003 white</li> <li>● 5 = RAL 9005 black</li> <li>● 6 = RAL 9006 alu</li> </ul>
<b>REFLECTOR</b>	Aluminium white
<b>ADJUSTABLE</b>	No
<b>SIZE</b>	Different sizes available

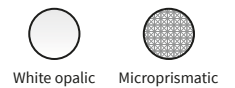


**OPTIONS**

<b>COLORS</b>	Available in all RAL colours on request Additional price + 10%
<b>DIMMABLE</b>	Dali dimmable
<b>DIFFUSER</b>	White opalic diffuser in standard Microprismatic UGR<19 option
<b>EMERGENCY</b>	3 hours
<b>IP CLASS</b>	IP20 in standard, IP44 on request
<b>COLOR RENDERING INDEX</b>	>80 in standard, other on request
<b>MOVEMENT SENSOR</b>	On request
<b>DAYLIGHT CONTROL SENSOR</b>	On request
<b>TUNABLE WHITE</b>	On request
<b>CYAN ENHANCED STATIC</b>	On request



**DIFFUSER**



**INFORMATION**

This luminaire can be mounted directly in to the ceiling and can be connected to form long LED lighting lines. Mounting brackets included.

**! Bespoke size & product features available**

Keylight International reserves the right to modify or change technical, construction or LED specifications due to continuous improvements of our products and lightsources. The light source in this product can be replaced with an equivalent module made by Philips, Osram or Tridonic.

ARTICLE NUMBER	LENGTH	GROSS LUMEN OUTPUT	NETTO LUMEN OUTPUT	OUTPUT POWER	MODULE EFFICIENCY	COLOR TEMPERATURE	CRI	TC LIFETIME
Δ See colors								
9269.601.30.Δ	601mm	2200lm	1450lm	14W	157lm/W	3000K	>80	50.000 Hrs
9269.601.35.Δ	601mm	2200lm	1450lm	14W	157lm/W	3500K	>80	50.000 Hrs
9269.601.40.Δ	601mm	2200lm	1450lm	14W	157lm/W	4000K	>80	50.000 Hrs
9269.882.30.Δ	882mm	3300lm	2300lm	22W	150lm/W	3000K	>80	50.000 Hrs
9269.882.35.Δ	882mm	3300lm	2300lm	22W	150lm/W	3500K	>80	50.000 Hrs
9269.882.40.Δ	882mm	3300lm	2300lm	22W	150lm/W	4000K	>80	50.000 Hrs
9269.116.30.Δ	1163mm	4400lm	3000lm	28W	157lm/W	3000K	>80	50.000 Hrs
9269.116.35.Δ	1163mm	4400lm	3000lm	28W	157lm/W	3500K	>80	50.000 Hrs
9269.116.40.Δ	1163mm	4400lm	3000lm	28W	157lm/W	4000K	>80	50.000 Hrs
9269.144.30.Δ	1444mm	5500lm	3800lm	34W	162lm/W	3000K	>80	50.000 Hrs
9269.144.35.Δ	1444mm	5500lm	3800lm	34W	162lm/W	3500K	>80	50.000 Hrs
9269.144.40.Δ	1444mm	5500lm	3800lm	34W	162lm/W	4000K	>80	50.000 Hrs
9269.116.30.Δ	1163mm	8000lm	5600lm	51W	157lm/W	3000K	>80	50.000 Hrs
9269.116.35.Δ	1163mm	8000lm	5600lm	51W	157lm/W	3500K	>80	50.000 Hrs
9269.116.40.Δ	1163mm	8000lm	5600lm	51W	157lm/W	4000K	>80	50.000 Hrs
9269.144.30.Δ	1444mm	10000lm	7000lm	63W	159lm/W	3000K	>80	50.000 Hrs
9269.144.35.Δ	1444mm	10000lm	7000lm	63W	159lm/W	3500K	>80	50.000 Hrs
9269.144.40.Δ	1444mm	10000lm	7000lm	63W	159lm/W	4000K	>80	50.000 Hrs