

## PROFILE 60 KL PND LOUVER OFFICE



<b>PRODUCT MATERIAL</b>	Aluminium
<b>LIGHT SOURCE</b>	Philips Ledline
<b>MODULE LIFETIME</b>	Approx. 50.000 hours
<b>DRIVER LEDLINE</b>	Including Philips Xitanium driver
<b>COLORS (Δ)</b>	<ul style="list-style-type: none"> <li>○ 3 = RAL 9003 white</li> <li>● 5 = RAL 9005 black</li> <li>● 6 = RAL 9006 alu</li> </ul>
<b>DIFFUSER</b>	Parabolic louver
<b>ADJUSTABLE</b>	No
<b>SIZE</b>	60 X 80mm



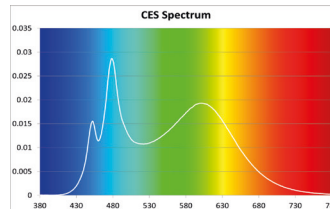
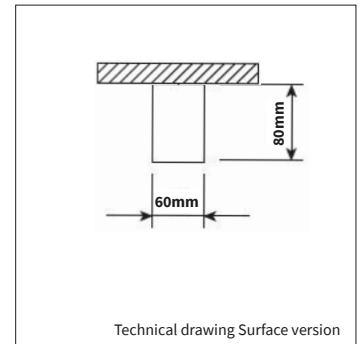
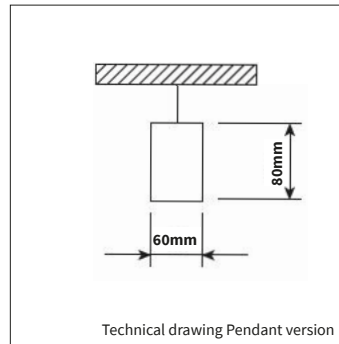
### SPECIAL FEATURES

#### PHILIPS Fortimo LED Strip CES Gen5 (Cyan Enhanced Static):

New Philips Fortimo LED Strip CES system is a breakthrough solution towards meeting HCL WELL standards. This is possible due to the specific effect of this type of light on the circadian rhythm. In 2002, the third receptor in the eye, IpRGC, was found to be responsible for the proper level of melatonin in the human body. The associated term is MDER (Melanopic Daylight Equivalent Ratio). If we assume that sunlight during the day provides us with a factor of 100 and the average light in standard office with 500 lux intensity only 50 of this factor, our lighting systems with innovative CES Fortimo Strip LED boards allows to achieve unique value of 86.

### OPTIONS

<b>COLORS</b>	Available in all RAL colours on request Additional price + 10%
<b>DIMMABLE</b>	Dali dimmable
<b>EMERGENCY</b>	3 hours
<b>SUSPENSION SET</b>	2 pieces steel cable and a power cable with ceiling base 1500mm
<b>IP CLASS</b>	IP20 in standard, IP44 on request
<b>COLOUR RENDERING INDEX</b>	>80 in standard, other on request
<b>MOVEMENT SENSOR</b>	On request
<b>DAYLIGHT CONTROL SENSOR</b>	On request
<b>TUNABLE WHITE</b>	On request
<b>CYAN ENHANCED STATIC</b>	Included



#### Fortimo CES / PO features and benefits:

- It is part of the Human Centric Lighting trend and allows you to earn 4 WELL standard points
- The use of a unique LED chip configuration
- The ideal "admixture" of 480nm wavelength
- The highest MDER on the market
- Photobiological safety guaranteed
- Luminous efficacy up to 165 lm/W
- 5 years warranty ,
- No "ripple" effect, ripple current <4

### INFORMATION

Luminaires can be connected into long lighting lines

**Bespoke size & product features available**

Keylight International reserves the right to modify or change technical, construction or LED specifications due to continuous improvements of our products and light sources. The light source in this product can be replaced with an equivalent module made by Philips, Osram or Tridonic.

ARTICLE NUMBER	LENGTH	GROSS LUMEN OUTPUT	NETTO LUMEN OUTPUT	OUTPUT POWER	MODULE EFFICIENCY	COLOR TEMPERATURE	CRI	TC LIFETIME
Δ See colors								
5596.143.30.Δ	1430mm	5500lm	1850lm	34W	162lm/W	3000K	>80	50.000 Hrs
5596.143.40.Δ	1430mm	5500lm	1850lm	34W	162lm/W	4000K	>80	50.000 Hrs
5596.283.30.Δ	2830mm	2500lm	11000lm	68W	162lm/W	3000K	>80	50.000 Hrs
5596.283.40.Δ	2830mm	2500lm	11000lm	68W	162lm/W	4000K	>80	50.000 Hrs
<b>Surface up/dn</b>								
5597.143.30.Δ	1430mm	2500lm	8800lm	55W	160lm/W	3000K	>80	50.000 Hrs
5597.143.40.Δ	1430mm	2500lm	8800lm	55W	160lm/W	4000K	>80	50.000 Hrs
5597.283.30.Δ	2830mm	2500lm	17600lm	110W	160lm/W	3000K	>80	50.000 Hrs
5597.283.40.Δ	2830mm	2500lm	17600lm	110W	160lm/W	4000K	>80	50.000 Hrs