

PRODUCT MATERIAL	Aluminium profile
LIGHT SOURCE	Philips Fortimo
MODULE LIFETIME	Approx. 50,000 hours
DRIVER	Including driver
COLORS (Δ)	<ul style="list-style-type: none"> ○ 3 = RAL 9003 white ● 5 = RAL 9005 black ● 6 = RAL 9006 alu
REFLECTOR	Aluminium white
SIZE	Different sizes available

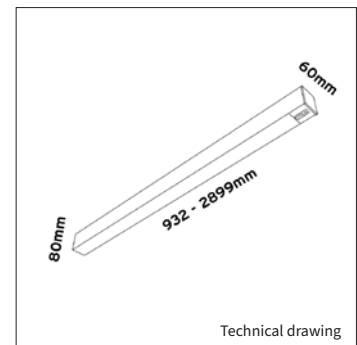
SPECIAL FEATURES

Luminaire is equipped with EasyAir Sensor: Communication between luminaires without wires. Easy smartphone commissioning
 Daylight control sensor: Easy Air sensor included
 Movement sensor: Easy Air sensor included
 Dimmable: DALI 2.0 driver included
 Enables gateway data readout
 Xitanium SR interface (based on DALI 2.0)



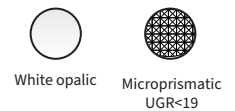
OPTIONS

COLORS	Available in all RAL colours on request Additional price + 10%
SUSPENSION SET	Suspension set 1500mm
DIFFUSER	White opalic diffuser or Microprismatic UGR<19 option
EMERGENCY	3 hours
IP CLASS	IP20 in standard, IP44 on request
COLOUR RENDERING INDEX	>80 in standard, other on request
MOVEMENT SENSOR	On request
DAYLIGHT CONTROL SENSOR	On request
TUNABLE WHITE	On request
CYAN ENHANCED STATIC	On request



Technical drawing

DIFFUSER



White opalic

Microprismatic UGR<19

INFORMATION

Nominal lifetime 70.000/L80B10

Luminaires can be connected into long lighting lines

Bespoke size & product features available

Keylight International reserves the right to modify or change technical, construction or LED specifications due to continuous improvements of our products and light sources. The light source in this product can be replaced with an equivalent module made by Philips, Osram or Tridonic.

ARTICLE NUMBER	LENGTH	GROSS LUMEN OUTPUT	OUTPUT POWER	MODULE EFFICIENCY	COLOR TEMPERATURE	CRI
SINGLE PROFILES OPAL						
Δ See colors						
55.01150.83.E.XC.OP.Δ	932mm	3300lm	20W	165lm/W	3000K	>80
55.01150.81.E.XC.OP.Δ	932mm	3300lm	20W	165lm/W	3500K	>80
55.01150.84.E.XC.OP.Δ	932mm	3300lm	20W	165lm/W	4000K	>80
55.01151.83.E.XC.OP.Δ	1213mm	4400lm	26W	169lm/W	3000K	>80
55.01151.81.E.XC.OP.Δ	1213mm	4400lm	26W	169lm/W	3500K	>80
55.01151.84.E.XC.OP.Δ	1213mm	4400lm	26W	169lm/W	4000K	>80
55.01152.83.E.XC.OP.Δ	1494mm	5500lm	33W	167lm/W	3000K	>80
55.01152.81.E.XC.OP.Δ	1494mm	5500lm	33W	167lm/W	3500K	>80
55.01152.84.E.XC.OP.Δ	1494mm	5500lm	33W	167lm/W	4000K	>80
55.01153.83.E.XC.OP.Δ	1775mm	6600lm	39W	169lm/W	3000K	>80
55.01153.81.E.XC.OP.Δ	1775mm	6600lm	39W	169lm/W	3500K	>80
55.01153.84.E.XC.OP.Δ	1775mm	6600lm	39W	169lm/W	4000K	>80
55.01154.83.E.XC.OP.Δ	2056mm	7700lm	46W	167lm/W	3000K	>80
55.01154.81.E.XC.OP.Δ	2056mm	7700lm	46W	167lm/W	3500K	>80
55.01154.84.E.XC.OP.Δ	2056mm	7700lm	46W	167lm/W	4000K	>80
55.01155.83.E.XC.OP.Δ	2337mm	8800lm	52W	169lm/W	3000K	>80
55.01155.81.E.XC.OP.Δ	2337mm	8800lm	52W	169lm/W	3500K	>80
55.01155.84.E.XC.OP.Δ	2337mm	8800lm	52W	169lm/W	4000K	>80
55.01156.83.E.XC.OP.Δ	2618mm	9900lm	58W	171lm/W	3000K	>80
55.01156.81.E.XC.OP.Δ	2618mm	9900lm	58W	171lm/W	3500K	>80
55.01156.84.E.XC.OP.Δ	2618mm	9900lm	58W	171lm/W	4000K	>80
55.01157.83.E.XC.OP.Δ	2899mm	11000lm	64W	172lm/W	3000K	>80
55.01157.81.E.XC.OP.Δ	2899mm	11000lm	64W	172lm/W	3500K	>80
55.01157.84.E.XC.OP.Δ	2899mm	11000lm	64W	172lm/W	4000K	>80

ARTICLE NUMBER	LENGTH	GROSS LUMEN OUTPUT	OUTPUT POWER	MODULE EFFICIENCY	COLOR TEMPERATURE	CRI
SINGLE PROFILES UGR<19						
Δ See colors						
55.01150.83.E.XC.MP19.Δ	932mm	3300lm	20W	165lm/W	3000K	>80
55.01150.81.E.XC.MP19.Δ	932mm	3300lm	20W	165lm/W	3500K	>80
55.01150.84.E.XC.MP19.Δ	932mm	3300lm	20W	165lm/W	4000K	>80
55.01151.83.E.XC.MP19.Δ	1213mm	4400lm	26W	169lm/W	3000K	>80
55.01151.81.E.XC.MP19.Δ	1213mm	4400lm	26W	169lm/W	3500K	>80
55.01151.84.E.XC.MP19.Δ	1213mm	4400lm	26W	169lm/W	4000K	>80
55.01152.83.E.XC.MP19.Δ	1494mm	5500lm	33W	167lm/W	3000K	>80
55.01152.81.E.XC.MP19.Δ	1494mm	5500lm	33W	167lm/W	3500K	>80
55.01152.84.E.XC.MP19.Δ	1494mm	5500lm	33W	167lm/W	4000K	>80
55.01153.83.E.XC.MP19.Δ	1775mm	6600lm	39W	169lm/W	3000K	>80
55.01153.81.E.XC.MP19.Δ	1775mm	6600lm	39W	169lm/W	3500K	>80
55.01153.84.E.XC.MP19.Δ	1775mm	6600lm	39W	169lm/W	4000K	>80
55.01154.83.E.XC.MP19.Δ	2056mm	7700lm	46W	167lm/W	3000K	>80
55.01154.81.E.XC.MP19.Δ	2056mm	7700lm	46W	167lm/W	3500K	>80
55.01154.84.E.XC.MP19.Δ	2056mm	7700lm	46W	167lm/W	4000K	>80
55.01155.83.E.XC.MP19.Δ	2337mm	8800lm	52W	169lm/W	3000K	>80
55.01155.81.E.XC.MP19.Δ	2337mm	8800lm	52W	169lm/W	3500K	>80
55.01155.84.E.XC.MP19.Δ	2337mm	8800lm	52W	169lm/W	4000K	>80
55.01156.83.E.XC.MP19.Δ	2618mm	9900lm	58W	171lm/W	3000K	>80
55.01156.81.E.XC.MP19.Δ	2618mm	9900lm	58W	171lm/W	3500K	>80
55.01156.84.E.XC.MP19.Δ	2618mm	9900lm	58W	171lm/W	4000K	>80
55.01157.83.E.XC.MP19.Δ	2899mm	11000lm	64W	172lm/W	3000K	>80
55.01157.81.E.XC.MP19.Δ	2899mm	11000lm	64W	172lm/W	3500K	>80
55.01157.84.E.XC.MP19.Δ	2899mm	11000lm	64W	172lm/W	4000K	>80