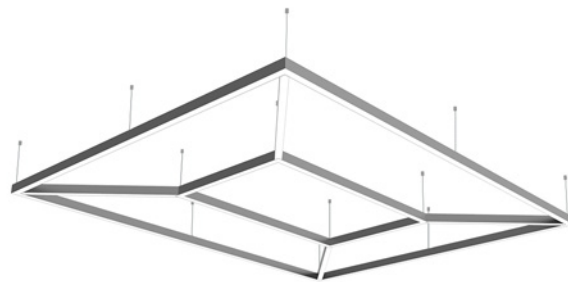
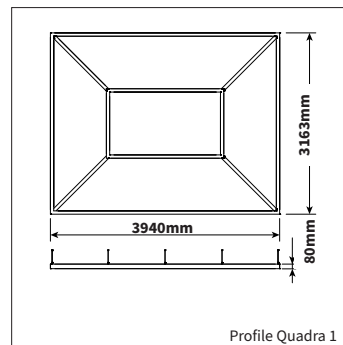


| | |
|-------------------------|---|
| PRODUCT MATERIAL | Aluminium profile |
| LIGHT SOURCE | Philips Ledline |
| MODULE LIFETIME | Approx. 50.000 hours |
| DRIVER | Including driver |
| COLORS (Δ) | <input type="radio"/> 3 = RAL 9003 white <input checked="" type="radio"/> 5 = RAL 9005 black <input type="radio"/> 6 = RAL 9006 alu |
| REFLECTOR | Aluminium white |
| ADJUSTABLE | No |
| SIZE | See technical drawing |

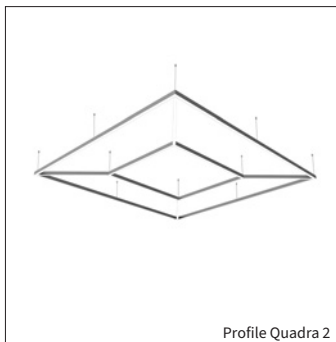


OPTIONS

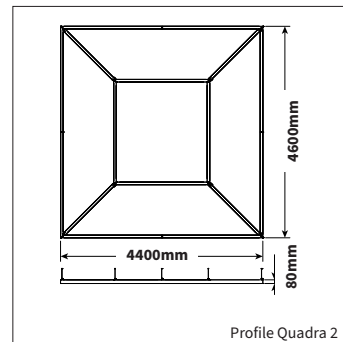
| | |
|--------------------------------|---|
| COLORS | Available in all RAL colours on request Additional price + 10% |
| DIMMABLE | Dali dimmable |
| SUSPENSION SET | 1500mm suspension set included |
| DIFFUSER | White opalic diffuser or Microprismatic UGR<19 option |
| EMERGENCY | 3 hours |
| IP CLASS | IP20 in standard, IP44 on request |
| COLOUR RENDERING INDEX | >80 in standard, other on request |
| MOVEMENT SENSOR | On request |
| DAYLIGHT CONTROL SENSOR | On request |
| TUNABLE WHITE | On request |
| CYAN ENHANCED STATIC | On request |
| WIRELESS DIMMABLE | Masterconnect, Easy Air/Zigbee |



Profile Quadra 1



Profile Quadra 2



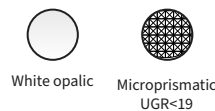
Profile Quadra 2

INFORMATION

Bespoke size & product features available

Keylight International reserves the right to modify or change technical, construction or LED specifications due to continuous improvements of our products and light sources. The light source in this product can be replaced with an equivalent module made by Philips, Osram or Tridonic.

DIFFUSER



| ARTICLE NUMBER | LENGTH | GROSS LUMEN OUTPUT | OUTPUT POWER | MODULE EFFICIENCY | COLOR TEMPERATURE | CRI |
|-------------------------|---------------|--------------------|--------------|-------------------|-------------------|-----|
| PROFILE QUADRA 1 | | | | | | |
| Δ See colors | | | | | | |
| 9275.394.30.Δ | 3940 X 3163mm | 101200lm | 625W | 162lm/W | 3000K | >80 |
| 9275.394.35.Δ | 3940 X 3163mm | 101200lm | 625W | 162lm/W | 3500K | >80 |
| 9275.394.40.Δ | 3940 X 3163mm | 101200lm | 625W | 162lm/W | 4000K | >80 |
| PROFILE QUADRA 2 | | | | | | |
| 9276.440.30.Δ | 4400 X 4600mm | 127600lm | 783W | 163lm/W | 3000K | >80 |
| 9276.440.35.Δ | 4400 X 4600mm | 127600lm | 783W | 163lm/W | 3500K | >80 |
| 9276.440.40.Δ | 4400 X 4600mm | 127600lm | 783W | 163lm/W | 4000K | >80 |