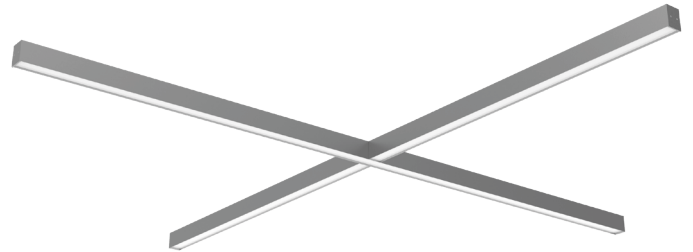


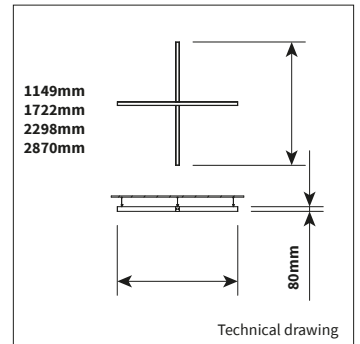


PRODUCT MATERIAL	Aluminium profile
LIGHT SOURCE	Philips Ledline
MODULE LIFETIME	Approx. 50.000 hours
DRIVER LEDLINE	Including Philips Xitanium driver
COLORS (Δ)	<ul style="list-style-type: none"> ○ 3 = RAL 9003 white ● 5 = RAL 9005 black ● 6 = RAL 9006 alu
REFLECTOR	Aluminium white
ADJUSTABLE	No
SIZE	See technical drawing



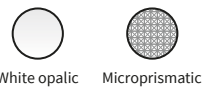
OPTIONS

COLORS	Available in all RAL colours on request Additional price + 10%
DIMMABLE	Dali dimmable
DIFFUSER	White opalic diffuser in standard Microprismatic UGR<19 option
EMERGENCY	3 hours
IP CLASS	IP20 in standard, IP44 on request
COLOR RENDERING INDEX	>80 in standard, other on request
MOVEMENT SENSOR	On request
DAYLIGHT CONTROL SENSOR	On request
TUNABLE WHITE	On request
CYAN ENHANCED STATIC	On request



Technical drawing

DIFFUSER



INFORMATION

Including 1500mm steel wire suspension with wire length control

Bespoke size & product features available

Keylight International reserves the right to modify or change technical, construction or LED specifications due to continuous improvements of our products and lightsources. The light source in this product can be replaced with an equivalent module made by Philips, Osram or Tridonic.

ARTICLE NUMBER	LENGTH	GROSS LUMEN OUTPUT	NETTO LUMEN OUTPUT	OUTPUT POWER	MODULE EFFICIENCY	COLOR TEMPERATURE	CRI	TC LIFETIME
Δ See colors								
9262.114.30.Δ	1149mm	8800lm	6000lm	53W	166lm/W	3000K	>80	50.000 Hrs
9262.114.35.Δ	1149mm	8800lm	6000lm	53W	166lm/W	3500K	>80	50.000 Hrs
9262.114.40.Δ	1149mm	8800lm	6000lm	53W	166lm/W	4000K	>80	50.000 Hrs
9262.172.30.Δ	1722mm	13200lm	9000lm	82W	161lm/W	3000K	>80	50.000 Hrs
9262.172.35.Δ	1722mm	13200lm	9000lm	82W	161lm/W	3500K	>80	50.000 Hrs
9262.172.40.Δ	1722mm	13200lm	9000lm	82W	161lm/W	4000K	>80	50.000 Hrs
9262.229.30.Δ	2298mm	17600lm	12000lm	106W	166lm/W	3000K	>80	50.000 Hrs
9262.229.35.Δ	2298mm	17600lm	12000lm	106W	166lm/W	3500K	>80	50.000 Hrs
9262.229.40.Δ	2298mm	17600lm	12000lm	106W	166lm/W	4000K	>80	50.000 Hrs
9262.287.30.Δ	2870mm	15000lm	22000lm	132W	167lm/W	3000K	>80	50.000 Hrs
9262.287.35.Δ	2870mm	15000lm	22000lm	132W	167lm/W	3500K	>80	50.000 Hrs
9262.287.40.Δ	2870mm	15000lm	22000lm	132W	167lm/W	4000K	>80	50.000 Hrs