


PRODUCT MATERIAL	Die-cast aluminium
LIGHT SOURCE	Osram 5050
MODULE LIFETIME	Approx. 50.000 hours
DRIVER	Including phase cut dimmable driver
COLORS (Δ)	<input type="radio"/> 3 = RAL 9003 white <input checked="" type="radio"/> 5 = RAL 9005 black
BEAM ANGLE	
ADJUSTABLE	No
DIMMABLE	Yes
SIZE	53 X 53 X 47mm



OPTIONS

DRIVER OPTIONS	1/10V	150mA 1-8W Art. no.: 0108.140.30.0	
	DALI	150mA 3-8W Art. no.: 0118.150.40.1	
POWER CABLE OPTIONS	Europlug 1500mm 2 X 0,75		Included
Connected to driver/fixture	Wieland GST 18/3 male 2000mm 3 X 0,75 Art. no.: 0501.183.20.0		
	Wieland T connector GST 18/3 200mm 3 X 0,75 Art. no.: 0500.183.20.0		

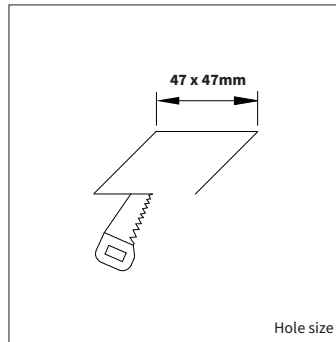
INFORMATION

This luminaire is equipped with an innovative lens technology instead of a reflector.

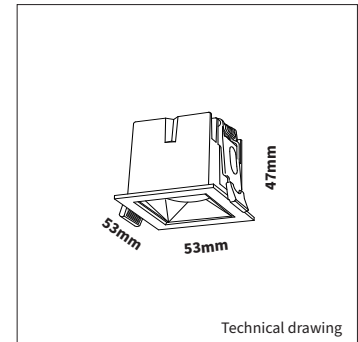
High quality LED lens technology + 10% more light output.

Full warranty only applies when fixture is purchased in combination with recommended driver.

Keylight International reserves the right to modify or change technical, construction or LED specifications due to continuous improvements of our products and light sources.



Hole size



Technical drawing

 **Due to the small hole size, the drivers can only be placed externally**

ARTICLE NUMBER	LAMP TYPE	BRAND	LUMINOUS FLUX	OUTPUT POWER	MODULE EFFICIENCY	COLOR TEMPERATURE	CRI	TC LIFETIME	mA
4414.215.24.Δ	5050	Osram	600lm	6W	100lm/W	2700K	>90	50.000 Hrs	150mA
4414.315.24.Δ	5050	Osram	600lm	6W	100lm/W	3000K	>90	50.000 Hrs	150mA

Δ See colors