
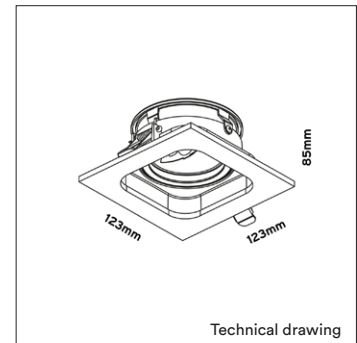
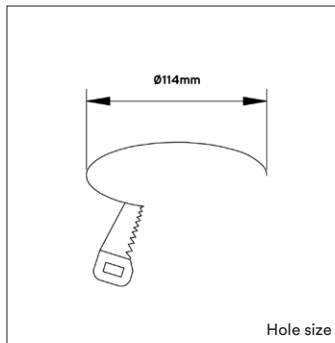


PRODUCT MATERIAL	Aluminium
LIGHT SOURCE	QR70 LED spot
MODULE LIFETIME	Approx. 30.000 hours
DRIVER	Excluding driver, SELECT OPTION
COLORS (Δ)	<input type="radio"/> 3 = RAL 9003 white <input type="radio"/> 6 = RAL 9006 alu
BEAM ANGLE	
ADJUSTABLE	Yes
SIZE	123 X X 123 X 85mm




OPTIONS

DRIVER OPTIONS	On/off 150mA 6-8W Art. no.: 0106.150.10.0
	Phase cut 150mA 6W Art. no.: 0106.150.20.3
	1/10V 150mA 1-6W Art. no.: 0120.150.30.0
	DALI 150mA 3-8W Art. no.: 0118.150.40.1
POWER CABLE OPTIONS Connected to driver/fixture	Europlug 2000mm 2 X 0,75 Art. no.: 0502.075.20.0
	Wieland GST 18/3 male 2000mm 3 X 0,75 Art. no.: 0501.183.20.0
	Wieland T connector GST 18/3 200mm 3 X 0,75 Art. no.: 0500.183.20.0



INFORMATION

Always select a driver option and add the selected driver to your order.

 Full warranty only applies when fixture is purchased in combination with recommended driver.

ARTICLE NUMBER	LAMP TYPE	BRAND	LUMINOUS FLUX	OUTPUT POWER	MODULE EFFICIENCY	COLOR TEMPERATURE	CRI	TC LIFETIME	BEAM ANGLE	mA
4903.070.24.Δ	QR70 LED	KL	300lm	6W	50lm/W	2700K	>90	30.000 Hrs	24°	150mA
4903.080.24.Δ	QR70 LED	KL	300lm	6W	50lm/W	2000 - 2700K DTW	>90	30.000 Hrs	24°	150mA

Δ See colors