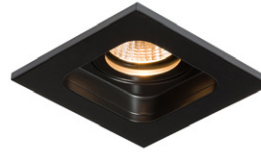
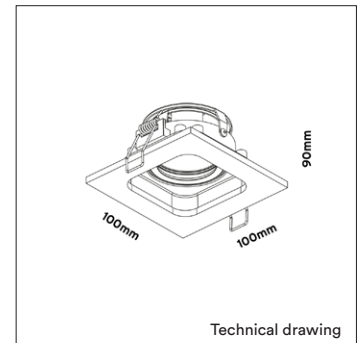
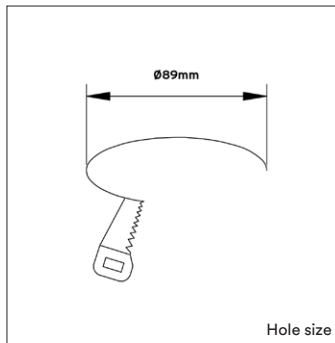


PRODUCT MATERIAL	Aluminium
LIGHT SOURCE	LMR50
MODULE LIFETIME	Approx. 30.000 hours
DRIVER	Excluding driver, SELECT OPTION
COLORS (Δ)	○ 3 = RAL 9003 white ● 5 = RAL 9005 black
BEAM ANGLE	▲ 20° ▲ 30°
ADJUSTABLE	Yes
SIZE	100 X 100 X 90mm



OPTIONS LMR50

GLASS COVER CLEAR	Glass IP44 Art. no.: 0053.999.99.0
DRIVER OPTIONS	On/off 350mA 6-10W Art. no.: 0110.350.10.3
	Phase cut 350mA 1-7W Art. no.: 0107.350.20.2
	DALI 350mA 3-18W Art. no.: 0118.350.40.0 Max. 2 fixtures connected in serie per driver
POWER CABLE OPTIONS Connected to driver/fixture	Europlug 2000mm 2 X 0,75 Art. no.: 0502.075.20.0
	Wieland GST 18/3 male 2000mm 3 X 0,75 Art. no.: 0501.183.20.0
	Wieland T connector GST 18/3 200mm 3 X 0,75 Art. no.: 0500.183.20.0



INFORMATION

Always select a driver option and add the selected driver to your order.

⚠ Full warranty only applies when fixture is purchased in combination with recommended driver.

ARTICLE NUMBER	LAMP TYPE	BRAND	LUMINOUS FLUX	OUTPUT POWER	MODULE EFFICIENCY	COLOR TEMPERATURE	CRI	TC LIFETIME	BEAM ANGLE	mA
Δ See colors										
4906.171.20.Δ	LMR50	Bridgelux V6	575lm	6,8W	85lm/W	2700K	>90	30.000 Hrs	20°	350mA
4906.172.30.Δ	LMR50	Bridgelux V6	575lm	6,8W	85lm/W	2700K	>90	30.000 Hrs	30°	350mA
4906.173.20.Δ	LMR50	Bridgelux V6	600lm	6,8W	88lm/W	3000K	>90	30.000 Hrs	20°	350mA
4906.174.30.Δ	LMR50	Bridgelux V6	600lm	6,8W	88lm/W	3000K	>90	30.000 Hrs	30°	350mA
4906.275.20.Δ	LMR50	Bridgelux DtW	535lm	7W	77lm/W	1800-3000K	DTW 95	30.000 Hrs	20°	350mA
4906.276.30.Δ	LMR50	Bridgelux DtW	535lm	7W	77lm/W	1800-3000K	DTW 95	30.000 Hrs	30°	350mA