



QUBIC 2 TRIMLESS

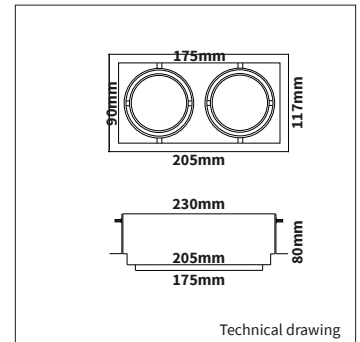
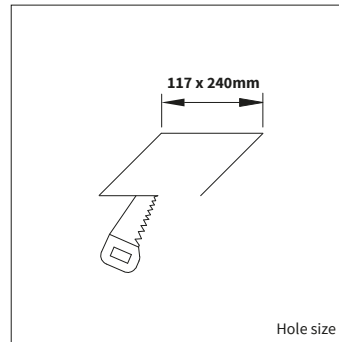
PRODUCT MATERIAL	Steel
LIGHT SOURCE	LMR50
MODULE LIFETIME	Approx. 30.000 hours
DRIVER	Excluding driver, SELECT OPTION
COLORS (Δ)	<ul style="list-style-type: none"> ○ 3 = RAL 9003 white ● 77 = RAL 7037 light grey ● 7 = RAL 7043 anthracite ● 5 = RAL 9005 black
BEAM ANGLE	
ADJUSTABLE	Yes
SIZE	See technical drawing



OPTIONS LMR50

COLORS	<p>The standard colors, as stated above, can be combined with the fixture inside/outside. No additional price</p> <p>Available in all RAL colours and combinations on request. Additional price + 10%</p>								
GLASS COVER CLEAR	<p>Glass IP44 Art. no.: 2 X 0053.999.99.0</p>								
DRIVER OPTIONS	<table border="1"> <tr> <td>On/off</td> <td>350mA 11-16W Art. no.: 0116.350.10.3</td> </tr> <tr> <td>Phase cut</td> <td>350mA 6-13W Art. no.: 0113.350.20.1</td> </tr> <tr> <td>1/10V</td> <td>350mA 10W Art. no.: 2 X 0110.350.30.1</td> </tr> <tr> <td>DALI</td> <td>350mA 3-18W Art. no.: 0118.350.40.0</td> </tr> </table>	On/off	350mA 11-16W Art. no.: 0116.350.10.3	Phase cut	350mA 6-13W Art. no.: 0113.350.20.1	1/10V	350mA 10W Art. no.: 2 X 0110.350.30.1	DALI	350mA 3-18W Art. no.: 0118.350.40.0
On/off	350mA 11-16W Art. no.: 0116.350.10.3								
Phase cut	350mA 6-13W Art. no.: 0113.350.20.1								
1/10V	350mA 10W Art. no.: 2 X 0110.350.30.1								
DALI	350mA 3-18W Art. no.: 0118.350.40.0								
POWER CABLE OPTIONS Connected to driver/fixture	<table border="1"> <tr> <td>Europlug 2000mm 2 X 0,75 Art. no.: 0502.075.20.0</td> </tr> <tr> <td>Wieland GST 18/3 male 2000mm 3 X 0,75 Art. no.: 0501.183.20.0</td> </tr> <tr> <td>Wieland T connector GST 18/3 200mm 3 X 0,75 Art. no.: 0500.183.20.0</td> </tr> </table>	Europlug 2000mm 2 X 0,75 Art. no.: 0502.075.20.0	Wieland GST 18/3 male 2000mm 3 X 0,75 Art. no.: 0501.183.20.0	Wieland T connector GST 18/3 200mm 3 X 0,75 Art. no.: 0500.183.20.0					
Europlug 2000mm 2 X 0,75 Art. no.: 0502.075.20.0									
Wieland GST 18/3 male 2000mm 3 X 0,75 Art. no.: 0501.183.20.0									
Wieland T connector GST 18/3 200mm 3 X 0,75 Art. no.: 0500.183.20.0									

Designed by
**remy
meijers**



INFORMATION

Triple or quadruple luminaire available on request

Including recessed frame



Allow for extra space behind recessed frame to install driver

Always select a driver option and add the selected driver to your order.
Full warranty only applies when fixture is purchased in combination with recommended driver.

Keylight International reserves the right to modify or change technical, construction or LED specifications due to continuous improvements of our products and lightsources.

ARTICLE NUMBER	LAMP TYPE	BRAND	LUMINOUS FLUX	OUTPUT POWER	MODULE EFFICIENCY	COLOR TEMPERATURE	CRI	TC LIFETIME	BEAM ANGLE	mA	
Δ See colors											
4616.171.20.Δ	LMR50	Bridgelux V6	2 X 575lm	2 X 6,8W	85lm/W	2700K	>90	30.000 Hrs	20°	350mA	
4616.172.30.Δ	LMR50	Bridgelux V6	2 X 575lm	2 X 6,8W	85lm/W	2700K	>90	30.000 Hrs	30°	350mA	
4616.173.20.Δ	LMR50	Bridgelux V6	2 X 600lm	2 X 6,8W	88lm/W	3000K	>90	30.000 Hrs	20°	350mA	
4616.174.30.Δ	LMR50	Bridgelux V6	2 X 600lm	2 X 6,8W	88lm/W	3000K	>90	30.000 Hrs	30°	350mA	
4616.175.20.Δ	LMR50	Bridgelux DtW	2 X 535lm	2 X 7W	77lm/W	1800-3000K		95	30.000 Hrs	20°	350mA
4616.176.30.Δ	LMR50	Bridgelux DtW	2 X 535lm	2 X 7W	77lm/W	1800-3000K		95	30.000 Hrs	30°	350mA