



QUBIC MINI

PRODUCT MATERIAL	Steel and aluminium
LIGHT SOURCE	High power LED
MODULE LIFETIME	Approx. 35.000 hours
COLORS	● 5 = RAL 9005 black
BEAM ANGLE	▲ 36°
ADJUSTABLE	No
SIZE	70 X 70 X 85mm

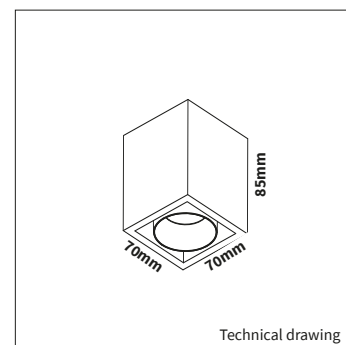
OPTIONS

COLORS	Available in all RAL colors and color combinations on request Additional price 10%
---------------	---



INFORMATION

Keylight International reserves the right to modify or change technical, construction or LED specifications due to continuous improvements of our products and lightsources.



ARTICLE NUMBER	LAMP TYPE	BRAND	LUMINOUS FLUX	OUTPUT POWER	MODULE EFFICIENCY	COLOR TEMPERATURE	CRI	TC LIFETIME	BEAM ANGLE	Volt
4611.606.36.5	High power LED	KL	600lm	6W	100lm/W	2700K	>90	35.000 Hrs	36dgr	230v