



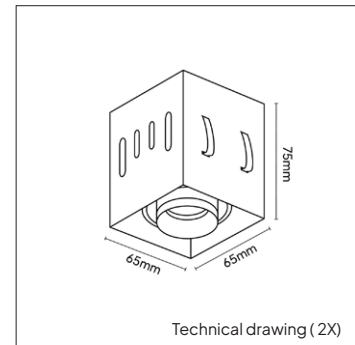
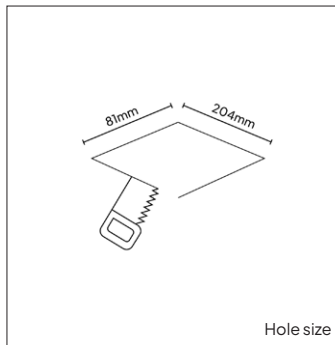


PRODUCT MATERIAL	Steel
LIGHT SOURCE	Cree / Bridgelux
MODULE LIFETIME	Approx. 30.000/50.000 hours
DRIVER	Excluding driver, SELECT OPTION
COLORS (Δ)	<input type="radio"/> 3 = RAL 9003 white <input checked="" type="radio"/> 5 = RAL 9005 black <input type="radio"/> 8 = Anodic brown <input type="radio"/> 7 = RAL 7037 grey
BEAM ANGLE	 24°
ADJUSTABLE	No
SIZE	See technical drawing



OPTIONS



OPTIONAL BEAM ANGLE	 15° Art. no.: 2 X 4818.010.15.0
	 33° Art. no.: 2 X 4818.010.36.0
	 48° Art. no.: 2 X 4818.010.50.0
HONEYCOMB	Art. no.: 2 X 4818.040.00.0
DRIVER OPTIONS	On/off 200mA 5-8W Art. no.: 2 X 0108.200.10.0
	Phase cut 200mA 6-8W Art. no.: 2 X 0108.200.20.4
	DALI 200mA 6-8W Art. no.: 2 X 0106.200.40.1
POWER CABLE OPTIONS Connected to driver/fixture	Europlug 2000mm 2 X 0,75 Art. no.: 0502.075.20.0
	Wieland GST 18/3 male 2000mm 3 X 0,75 Art. no.: 0501.183.20.0
	Wieland T connector GST 18/3 200mm 3 X 0,75 Art. no.: 0500.183.20.0



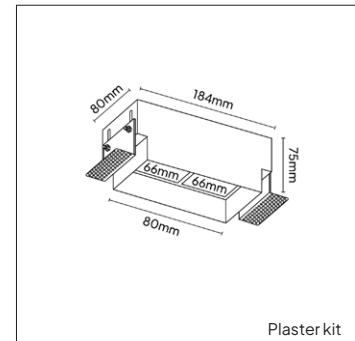
INFORMATION

Including plaster kit

Always select a driver option and add the selected driver to your order.

-  Pay attention at the inner size (66 x 66mm) of the plaster kit, as the chosen driver needs to fit through this hole.
-  Full warranty only applies when fixture is purchased in combination with recommended driver.

INSERTS



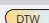
HONEYCOMB



Honeycomb

The colors as stated above can be combined with the fixture inside and outside.

For example: Outside black (Δ=5) and inside Anodic brown (Δ=8) will be colorcode Δ=58

ARTICLE NUMBER	LAMP TYPE	BRAND	LUMINOUS FLUX	OUTPUT POWER	MODULE EFFICIENCY	COLOR TEMPERATURE	CRI	TC LIFETIME	mA
4816.270.24.Δ	1306	Cree	2 X 837lm	2 X 7,3W	114lm/W	2700K	>90	30.000 Hrs	200mA
4816.125.24.Δ	BXRV	Bridgelux	2 X 688lm	2 X 6,5W	106lm/W	1800-3000K 	>90	50.000 Hrs	200mA

Δ See colors