




KEYLIGHT

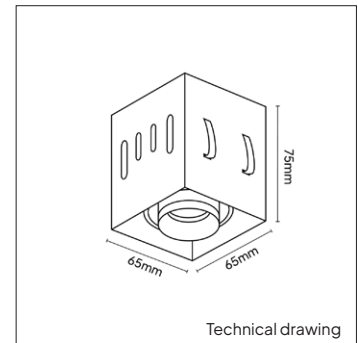
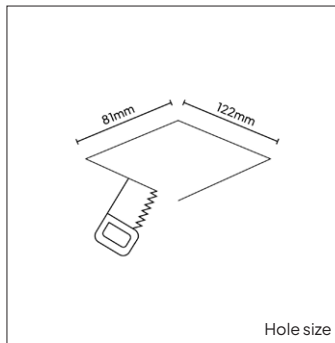
QUBIC S TRIMLESS

PRODUCT MATERIAL	Steel
LIGHT SOURCE	Cree / Bridgelux
MODULE LIFETIME	Approx. 30.000/50.000 hours
DRIVER	Excluding driver, SELECT OPTION
COLORS (Δ)	<input type="radio"/> 3 = RAL 9003 white <input type="radio"/> 5 = RAL 9005 black <input type="radio"/> 8 = Anodic brown <input type="radio"/> 7 = RAL 7037 grey
BEAM ANGLE	 24°
ADJUSTABLE	No
SIZE	See technical drawing



OPTIONS



OPTIONAL BEAM ANGLE	 36° Art. no.: 4818.010.36.0
	 50° Art. no.: 4818.010.50.0
HONEYCOMB	Art. no.: 4818.040.00.0
DRIVER OPTIONS	On/off 200mA 5-8W Art. no.: 0108.200.10.0
	Phase cut 200mA 6-8W Art. no.: 0108.200.20.4
	DALI 200mA 6-8W Art. no.: 0106.200.40.1
POWER CABLE OPTIONS Connected to driver/fixture	Europlug 2000mm 2 X 0,75 Art. no.: 0502.075.20.0
	Wieland GST18/3 male 2000mm 3 X 0,75 Art. no.: 0501.183.20.0
	Wieland T connector GST18/3 200mm 3 X 0,75 Art. no.: 0500.183.20.0



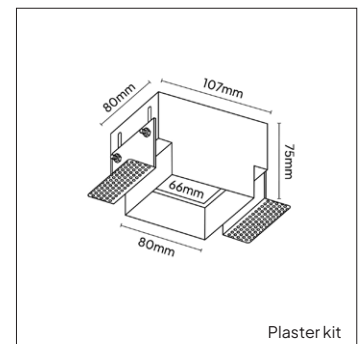
INFORMATION

Including plaster kit

Always select a driver option and add the selected driver to your order.

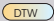
-  Pay attention at the inner size (66 x 66mm) of the plaster kit, as the chosen driver needs to fit through this hole.
-  Full warranty only applies when fixture is purchased in combination with recommended driver.

INSERTS



The colors as stated above can be combined with the fixture inside and outside.

For example: Outside black (Δ=5) and inside Anodic brown (Δ=8) will be colorcode Δ=58

ARTICLE NUMBER	LAMP TYPE	BRAND	LUMINOUS FLUX	OUTPUT POWER	MODULE EFFICIENCY	COLOR TEMPERATURE	CRI	TC LIFETIME	mA
Δ See colors									
4815.270.24.Δ	1306	Cree	837lm	7,3W	114lm/W	2700K	>90	30.000 Hrs	200mA
4815.300.24.Δ	1306	Cree	877lm	7,3W	120lm/W	3000K	>90	30.000 Hrs	200mA
4815.125.24.Δ	BXRV	Bridgelux	688lm	6,5W	106lm/W	1800-3000K 	>90	50.000 Hrs	200mA