
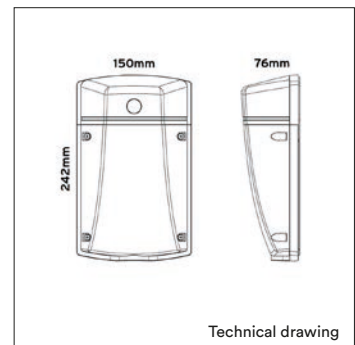


PRODUCT MATERIAL	Die-casting aluminium
LIGHT SOURCE	Lumileds 3030
MODULE LIFETIME	Approx. 35.000 hours
DRIVER	Including on/off driver
COLORS	● 7 = RAL 9007 dark grey
BEAM ANGLE	 120°
SIZE	150 X 242mm
OPTIONS	
DAYLIGHT SENSOR	Turn on light level 50 Lux Turn off light level > 150 Lux Standard included



ARTICLE NUMBER	LAMP TYPE	BRAND	LUMINOUS FLUX	OUTPUT POWER	MODULE EFFICIENCY	COLOR TEMPERATURE	CRI	TC LIFETIME	mA
8251.020.00.7	3030	Lumileds	2100lm	20W	105lm/W	4000K	>80	35.000 Hrs	600mA