

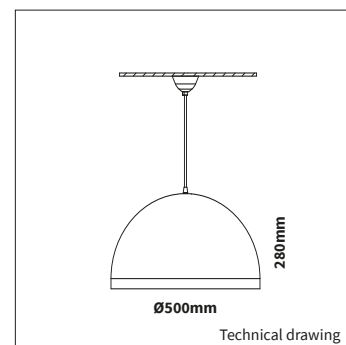


**SHELL**

<b>PRODUCT MATERIAL</b>	Steel and aluminium
<b>LIGHT SOURCE</b>	Philips LED module
<b>MODULE LIFETIME</b>	Approx. 50.000 hours
<b>DRIVER</b>	Including Philips Xitanium driver
<b>COLORS</b>	○ + ● 35= RAL 9003 white + RAL 9005 black
<b>REFLECTOR</b>	Aluminium white
<b>SIZE</b>	Ø500 X 280mm

**OPTIONS**

<b>COLORS</b>	Available in all RAL colours on request Additional price + 10% Also available: color combinations
<b>COLOR INSIDE</b> ON REQUEST	<ul style="list-style-type: none"> <li>● <b>Gold</b></li> <li>○ <b>White</b></li> <li>● <b>Black</b></li> <li>● <b>Aluminium color</b></li> <li>● <b>Custom color on request</b></li> </ul>
<b>DIMMABLE</b>	DALI dimmable
<b>IP CLASS</b>	IP20 in standard, IP44 on request
<b>COLOR RENDERING INDEX</b>	>80 in standard, other on request
<b>MOVEMENT SENSOR</b>	On request
<b>DAYLIGHT CONTROL SENSOR</b>	On request



**INFORMATION**

Including 1500mm steel wire suspension with wire length control

Keylight International reserves the right to modify or change technical, construction or LED specifications due to continuous improvements of our products and light sources. The light source in this product can be replaced with an equivalent module made by Philips, Osram or Tridonic.

ARTICLE NUMBER	LAMP TYPE	BRAND	LUMINOUS FLUX	OUTPUT POWER	MODULE EFFICIENCY	COLOR TEMPERATURE	CRI	TC LIFETIME
7028.198.91.35	LED module	Philips	4200lm	29W	145lm/W	3000K	>80	50.000 Hrs
7028.199.91.35	LED module	Philips	4200lm	29W	145lm/W	4000K	>80	50.000 Hrs