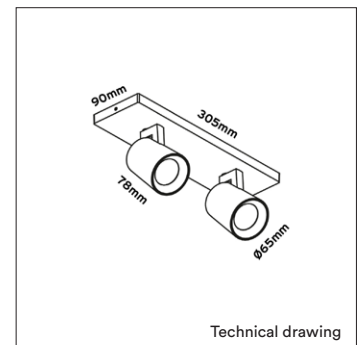


PRODUCT MATERIAL	Aluminium
LIGHT SOURCE	LED GU10
MODULE LIFETIME	Approx. 30.000 / 50.000 hours
COLORS (Δ)	<ul style="list-style-type: none"> ○ 3 = RAL 9003 white ● 5 = RAL 9005 black ● 6 = RAL 9006 alu
BEAM ANGLE	<ul style="list-style-type: none"> ▲ 25° ▲ 36°
BEAM ANGLE (DtW)	▲ 30°
ADJUSTABLE	350°
ADJUSTABLE HEAD	90°
SIZE	See technical drawing



OPTIONS

ANTI-GLARE RING	Black anti-glare ring	Included
	Gold anti-glare ring Art. no.: 2 X 5033.922.99.9	



ANTI-GLARE RING



ARTICLE NUMBER	LAMP TYPE	BRAND	LUMINOUS FLUX	OUTPUT POWER	MODULE EFFICIENCY	COLOR TEMPERATURE	CRI	TC LIFETIME	BEAM ANGLE
Δ See colors									
5034.272.25.Δ	GU10	Philips	2 X 265lm	2 X 4W	66lm/W	2700K	>90	50.000 Hrs	25°
5034.279.36.Δ	GU10	Philips	2 X 265lm	2 X 4W	66lm/W	2700K	>90	50.000 Hrs	36°
5034.282.25.Δ	GU10	Philips	2 X 280lm	2 X 4W	70lm/W	3000K	>90	50.000 Hrs	25°
5034.290.36.Δ	GU10	Philips	2 X 280lm	2 X 4W	70lm/W	3000K	>90	50.000 Hrs	36°
5034.176.30.Δ	GU10	KL	2 X 350lm	2 X 5W	61lm/W	2000 - 3000K DTW	>90	30.000 Hrs	30°