
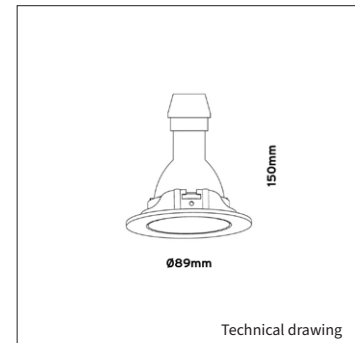
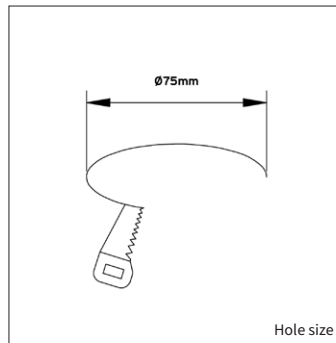


PRODUCT MATERIAL	Die-casting aluminium
LIGHT SOURCE	GU10 / LMR 50
MODULE LIFETIME	Approx. 30.000 / 20.000 hours
DRIVER	Excluding driver, SELECT OPTION
COLORS (Δ)	<input type="radio"/> 3 = RAL 9003 white <input checked="" type="radio"/> 5 = RAL 9005 black
BEAM ANGLE	
ADJUSTABLE	Yes
SIZE	Ø89 X 150mm



OPTIONS LMR50

GLASS COVER CLEAR	Glass IP44 Art. no.: 0053.999.99.0
DRIVER OPTIONS	On/off 350mA 6-10W Art. no.: 0110.350.10.3
	Phase cut 350mA 1-7W Art. no.: 0107.350.20.2
	DALI 350mA 3-18W Art. no.: 0118.350.40.0 Max. 2 fixtures connected in serie per driver
POWER CABLE OPTIONS Connected to driver/fixture	Europlug 2000mm 2 X 0,75 Art. no.: 0502.075.20.0
	Wieland GST 18/3 male 2000mm 3 X 0,75 Art. no.: 0501.183.20.0
	Wieland T connector GST 18/3 200mm 3 X 0,75 Art. no.: 0500.183.20.0



INFORMATION

Always select a driver option and add the selected driver to your order.

! Full warranty only applies when fixture is purchased in combination with recommended driver.

ARTICLE NUMBER	LAMP TYPE	BRAND	LUMINOUS FLUX	OUTPUT POWER	MODULE EFFICIENCY	COLOR TEMPERATURE	CRI	TC LIFETIME	BEAM ANGLE	mA
4132.270.25.Δ	GU10	Keylight	350lm	5W	70lm/W	2700K	>80	20.000Hrs	38°	
Δ See colors										
Excl. driver										
Incl. LMR50										
4132.171.20.Δ	LMR50	Bridgelux V6	575lm	6,8W	85lm/W	2700K	>90	30.000 Hrs	20°	350mA
4132.172.30.Δ	LMR50	Bridgelux V6	575lm	6,8W	85lm/W	2700K	>90	30.000 Hrs	30°	350mA
4132.173.20.Δ	LMR50	Bridgelux V6	600lm	6,8W	88lm/W	3000K	>90	30.000 Hrs	20°	350mA
4132.174.30.Δ	LMR50	Bridgelux V6	600lm	6,8W	88lm/W	3000K	>90	30.000 Hrs	30°	350mA
4132.275.20.Δ	LMR50	Bridgelux DtW	535lm	7W	77lm/W	1800-3000K (BTW)	95	30.000 Hrs	20°	350mA
4132.276.30.Δ	LMR50	Bridgelux DtW	535lm	7W	77lm/W	1800-3000K (BTW)	95	30.000 Hrs	30°	350mA