



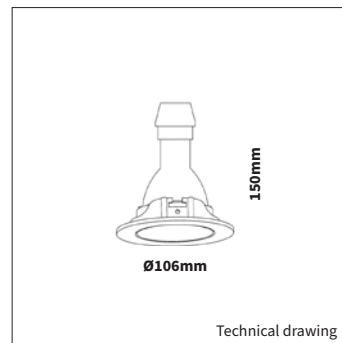
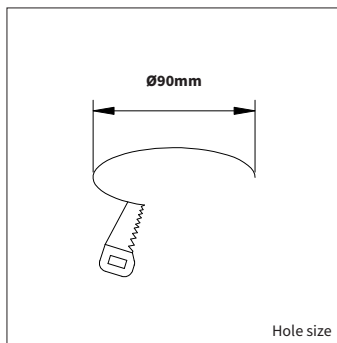
SPIDER

PRODUCT MATERIAL	Die-casting aluminium
LIGHT SOURCE	GU10 / LMR 50 exclusief driver
MODULE LIFETIME	Approx. 30.000 / 20.000 hours
COLORS (Δ)	○ 3 = RAL 9003 white ● 5 = RAL 9005 black
BEAM ANGLE	
ADJUSTABLE	Yes
SIZE	Ø106 X 150mm



OPTIONS LMR50

GLASS COVER CLEAR	Glass IP44 Art. no.: 0053.999.99.0
DRIVER OPTIONS	On/off 350mA 6-10W Art. no.: 0110.350.10.3
	Phase cut 350mA 5-10W Art. no.: 0110.350.30.1
	1/10V 350mA 5-10W Art. no.: 0110.350.30.1
	DALI 350mA 3-18W Art. no.: 0118.350.40.0 Max. 2 fixtures connected in serie per driver
POWER CABLE OPTIONS Connected to driver/fixture	Europlug 2000mm 2 X 0,75 Art. no.: 0502.075.20.0
	Wieland GST 18/3 male 2000mm 3 X 0,75 Art. no.: 0501.183.20.0
	Wieland T connector GST 18/3 200mm 3 X 0,75 Art. no.: 0500.183.20.0



INFORMATION

Always select a driver option and add the selected driver to your order.
Full warranty only applies when fixture is purchased in combination with recommended driver.

Keylight International reserves the right to modify or change technical, construction or LED specifications due to continuous improvements of our products and light sources.

ARTICLE NUMBER	LAMP TYPE	BRAND	LUMINOUS FLUX	OUTPUT POWER	MODULE EFFICIENCY	COLOR TEMPERATURE	CRI	TC LIFETIME	BEAM ANGLE	mA
4134.270.25.Δ	GU10	Keylight	350lm	5W	70lm/W	2700K	>80	20.000Hrs	38°	
Δ See colors										
Excl. driver Incl. LMR50										
4134.171.20.Δ	LMR50	Bridgelux V6	575lm	6,8W	85lm/W	2700K	>90	30.000 Hrs	20°	350mA
4134.172.30.Δ	LMR50	Bridgelux V6	575lm	6,8W	85lm/W	2700K	>90	30.000 Hrs	30°	350mA
4134.173.20.Δ	LMR50	Bridgelux V6	600lm	6,8W	88lm/W	3000K	>90	30.000 Hrs	20°	350mA
4134.174.30.Δ	LMR50	Bridgelux V6	600lm	6,8W	88lm/W	3000K	>90	30.000 Hrs	30°	350mA
4134.275.20.Δ	LMR50	Bridgelux DtW	535lm	7W	77lm/W	1800-3000K	95	30.000 Hrs	20°	350mA
4134.276.30.Δ	LMR50	Bridgelux DtW	535lm	7W	77lm/W	1800-3000K	95	30.000 Hrs	30°	350mA