

<b>PRODUCT MATERIAL</b>	Aluminium and steel
<b>LIGHT SOURCE</b>	Philips SLM G7
<b>MODULE LIFETIME</b>	Approx. 50.000 hours
<b>DRIVER</b>	Including on/off driver
<b>COLORS (Δ)</b>	<ul style="list-style-type: none"> <li>○ 3 = RAL 9003 white</li> <li>● 5 = RAL 9005 black</li> <li>● 6 = RAL 9006 alu</li> </ul>
<b>BEAM ANGLE</b>	Wide Angle
<b>ADJUSTABLE</b>	Yes
<b>SIZE</b>	Ø135 X 1006mm



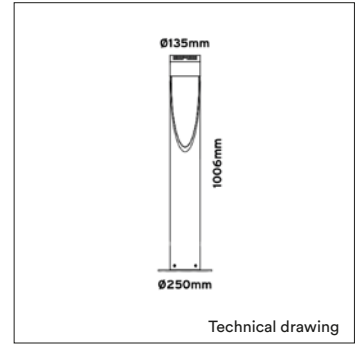
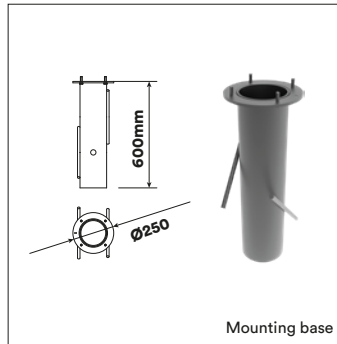
## OPTIONS

<b>COLORS</b>	Available in all RAL colours on request Additional price + 10%
<b>DIFFUSER</b>	Clear tempered glass in standard, mat on request
<b>MOUNTING BASE</b>	Mounting base

## INFORMATION

Nominal lifetime L90/B50 @50.000 h / 25°C

**!** The light source in this product can be replaced with an equivalent module made by Philips, Osram or Tridonic.



ARTICLE NUMBER	LAMP TYPE	BRAND	LUMINOUS FLUX	OUTPUT POWER	MODULE EFFICIENCY	COLOR TEMPERATURE	CRI	TC LIFETIME	MINIMUM ORDER QUANTITY
8024.150.30.Δ	SLM	Philips	1200lm	7W	171lm/W	3000K	>80	50.000 Hrs	10
8024.150.40.Δ	SLM	Philips	1200lm	7W	171lm/W	4000K	>80	50.000 Hrs	10
8024.151.30.Δ	SLM	Philips	2200lm	16W	138lm/W	3000K	>80	50.000 Hrs	10
8024.151.40.Δ	SLM	Philips	2200lm	16W	138lm/W	4000K	>80	50.000 Hrs	10

Δ See colors