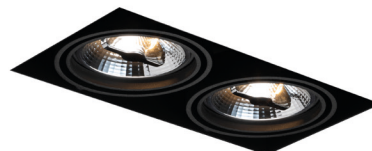




TRIMLESS MAXI 2

PRODUCT MATERIAL	Steel
LIGHT SOURCE	QR111 LED
MODULE LIFETIME	Approx. 35.000 hours
DRIVER	Excluding driver, SELECT OPTION
COLORS (Δ)	<input type="radio"/> 3 = RAL 9003 white <input checked="" type="radio"/> 5 = RAL 9005 black
BEAM ANGLE	<input checked="" type="radio"/> 24° <input checked="" type="radio"/> 40°
ADJUSTABLE	Yes
SIZE	See technical drawing



OPTIONS

DRIVER OPTIONS	On/off	350mA 11-16W Art. no.: 2 X 0116.350.10.3
	Phase cut	350mA 10-18W Art. no.: 2 X 0118.350.20.1
	1/10V	350mA 1-15W Art. no.: 2 X 0115.350.30.0
	DALI	350mA 3-18W Art. no.: 2 X 0118.350.40.0
POWER CABLE OPTIONS Connected to driver/fixture	Europlug 2000mm 2 X 0,75 Art. no.: 2 X 0502.075.20.0	
	Wieland GST 18/3 male 2000mm 3 X 0,75 Art. no.: 2 X 0501.183.20.0	
	Wieland T connector GST 18/3 200mm 3 X 0,75 Art. no.: 2 X 0500.183.20.0	

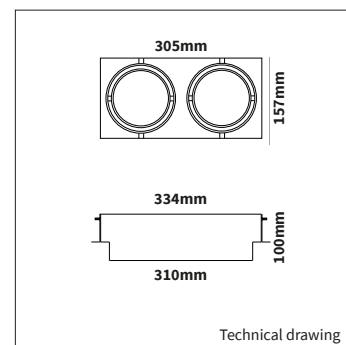
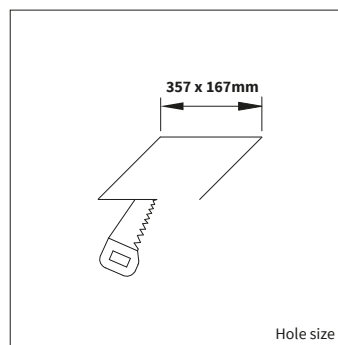
INFORMATION

Including recessed frame

⚠ Allow for extra space behind recessed frame to install driver

Always select a driver option and add the selected driver to your order.
Full warranty only applies when fixture is purchased in combination with recommended driver.

Keylight International reserves the right to modify or change technical, construction or LED specifications due to continuous improvements of our products and light sources.



ARTICLE NUMBER	LAMP TYPE	BRAND	LUMINOUS FLUX	OUTPUT POWER	MODULE EFFICIENCY	COLOR TEMPERATURE	CRI	TC LIFETIME	BEAM ANGLE	mA
Δ See colors										
4608.606.24.Δ	QR111 LED	KL	2 X 600lm	2 X 12W	50lm/W	2700K	>90	35.000 Hrs	24°	350mA
4608.606.40.Δ	QR111 LED	KL	2 X 600lm	2 X 12W	50lm/W	2700K	>90	35.000 Hrs	40°	350mA
4608.175.24.Δ	QR111 LED	KL	2 X 700lm	2 X 15W	50lm/W	2000 - 3200K	DTW >90	35.000 Hrs	24°	350mA
4608.175.40.Δ	QR111 LED	KL	2 X 700lm	2 X 15W	50lm/W	2000 - 3200K	DTW >90	35.000 Hrs	40°	350mA