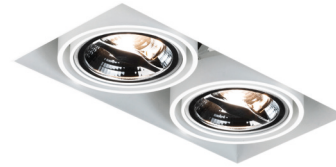




TRIMLESS MIDI 2

PRODUCT MATERIAL	Steel
LIGHT SOURCE	QR70 LED spot
MODULE LIFETIME	Approx. 30.000 hours
DRIVER	Excluding driver, SELECT OPTION
COLORS (Δ)	<input type="radio"/> 3 = RAL 9003 white <input checked="" type="radio"/> 5 = RAL 9005 black
BEAM ANGLE	24°
ADJUSTABLE	Yes
SIZE	See technical drawing



OPTIONS

DRIVER OPTIONS	On/off	150mA 6-8W Art. no.: 2 X 0106.150.10.0
	Phase cut	150mA 6W Art. no.: 2 X 0106.150.20.3
	1/10V	150mA 1-6W Art. no.: 2 X 0120.150.30.0
	DALI	150mA 3-8W Art. no.: 2 X 0118.150.40.1
POWER CABLE OPTIONS Connected to driver/fixture	Europlug 2000mm 2 X 0,75 Art. no.: 2 X 0502.075.20.0	
	Wieland GST 18/3 male 2000mm 3 X 0,75 Art. no.: 2 X 0501.183.20.0	
	Wieland T connector GST 18/3 200mm 3 X 0,75 Art. no.: 2 X 0500.183.20.0	

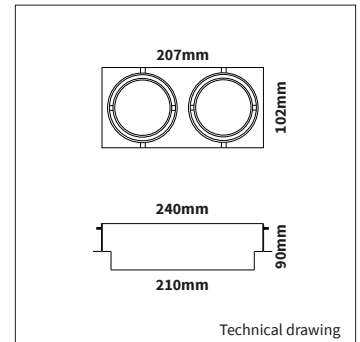
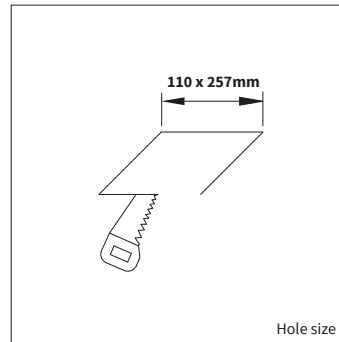
INFORMATION

Including recessed frame

Allow for extra space behind recessed frame to install driver

Always select a driver option and add the selected driver to your order.
Full warranty only applies when fixture is purchased in combination with recommended driver.

Keylight International reserves the right to modify or change technical, construction or LED specifications due to continuous improvements of our products and lightsources.



ARTICLE NUMBER	LAMP TYPE	BRAND	LUMINOUS FLUX	OUTPUT POWER	MODULE EFFICIENCY	COLOR TEMPERATURE	CRI	TC LIFETIME	BEAM ANGLE	mA
4642.070.24.Δ	QR70 LED	KL	2 X 300lm	2 X 6W	50lm/W	2700K	>90	30.000 Hrs	24°	150mA
4642.080.24.Δ	QR70 LED	KL	2 X 300lm	2 X 6W	50lm/W	2000 - 2700K	>90	30.000 Hrs	24°	150mA

Δ See colors