
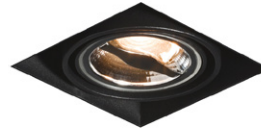
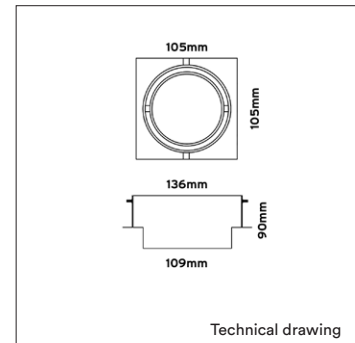
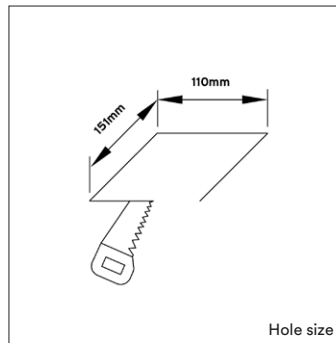


<b>PRODUCT MATERIAL</b>	Steel
<b>LIGHT SOURCE</b>	QR70 LED spot
<b>MODULE LIFETIME</b>	Approx. 30.000 hours
<b>DRIVER</b>	Excluding driver, <b>SELECT OPTION</b>
<b>COLORS (Δ)</b>	<input type="radio"/> <b>3</b> = RAL 9003 white <input checked="" type="radio"/> <b>5</b> = RAL 9005 black
<b>BEAM ANGLE</b>	
<b>ADJUSTABLE</b>	Yes
<b>SIZE</b>	See technical drawing



## OPTIONS

<b>DRIVER OPTIONS</b>	<b>On/off</b> 150mA 6-8W Art. no.: 0106.150.10.0
	<b>Phase cut</b> 150mA 6W Art. no.: 0106.150.20.3
	<b>1/10V</b> 150mA 1-6W Art. no.: 0120.150.30.0
	<b>DALI</b> 150mA 3-8W Art. no.: 0118.150.40.1
<b>POWER CABLE OPTIONS</b> Connected to driver/fixture	Europlug 2000mm 2 X 0,75 Art. no.: 0502.075.20.0
	Wieland GST 18/3 male 2000mm 3 X 0,75 Art. no.: 0501.183.20.0
	Wieland T connector GST 18/3 200mm 3 X 0,75 Art. no.: 0500.183.20.0



## INFORMATION

Including recessed frame

Always select a driver option and add the selected driver to your order.

 Full warranty only applies when fixture is purchased in combination with recommended driver.

 Allow for extra space behind recessed frame to install driver

ARTICLE NUMBER	LAMP TYPE	BRAND	LUMINOUS FLUX	OUTPUT POWER	MODULE EFFICIENCY	COLOR TEMPERATURE	CRI	TC LIFETIME	BEAM ANGLE	mA
4604.070.24.Δ	QR70 LED	KL	300lm	6W	50lm/W	2700K	>90	30.000 Hrs	24°	150mA
4604.080.24.Δ	QR70 LED	KL	300lm	6W	50lm/W	2000 - 2700K <span style="border: 1px solid black; border-radius: 50%; padding: 2px;">DTW</span>	>90	30.000 Hrs	24°	150mA

Δ See colors