



**PRODUCT MATERIAL**

Die-cast aluminium

**ADAPTER**

3-phase track adapter

**LIGHT SOURCE**

Bridgelux COB DtW

**MODULE LIFETIME**

Approx. 50.000 hours

**DRIVER**

Including phase cut dimmable driver

**COLORS (Δ)**

○ 3 = RAL 9003 white

● 5 = RAL 9005 black

**BEAM ANGLE**



24°

**ADJUSTABLE**

Horizontally and vertically rotational

**SIZE**

Ø66 X 146mm



**OPTIONS**

**OPTIONAL BEAM ANGLE**



15°

Art. no.: 3063.015.00.0



35°

Art. no.: 3063.035.00.0

**HONEYCOMB**

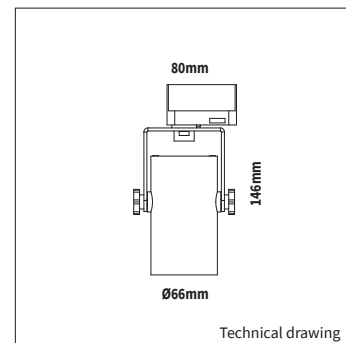
Art. no.: 3063.933.94.0

**BARNDOOR**

Art. no.: 3063.999.99.0

**INFORMATION**

Keylight International reserves the right to modify or change technical, construction or LED specifications due to continuous improvements of our products and lightsources.



Technical drawing

**HONEYCOMB**



Honeycomb

**BARNDOOR**



Barndoor

ARTICLE NUMBER	LAMP TYPE	BRAND	LUMINOUS FLUX	OUTPUT POWER	MODULE EFFICIENCY	COLOR TEMPERATURE	CRI	TC LIFETIME	mA
3063.720.24.Δ	LED COB DtW	Bridgelux	650lm	10W	65lm/W	2000-3000K <span style="border: 1px solid black; border-radius: 50%; padding: 2px;">DTW</span>	>90	50.000 Hrs	250mA

Δ See colors