


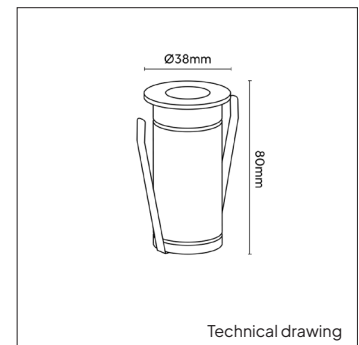
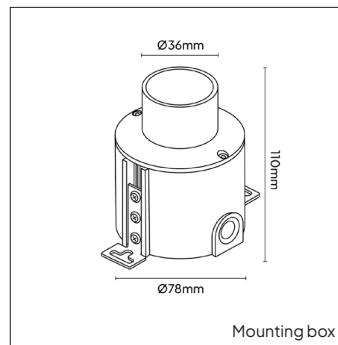


<b>PRODUCT MATERIAL</b>	Housing 6063 alu, cover SS316
<b>LIGHT SOURCE</b>	Osram Oslon SSL
<b>MODULE LIFETIME</b>	Approx. 50.000 hours
<b>DRIVER</b>	Excluding driver, <b>SELECT OPTION</b>
<b>COLORS</b>	● 5 = Black
<b>BEAM ANGLE</b>	 20°
<b>ADJUSTABLE</b>	No
<b>SIZE</b>	Ø38 X 80mm



## OPTIONS

<b>OPTIONAL BEAM ANGLE</b>	 10°	Art. no.: 8130.000.10.0
	 30°	Art. no.: 8130.000.30.0
<b>HONEYCOMB</b>	Art. no.: 8130.040.00.0	
<b>MOUNTING BOX (ABS)</b>	Art. no.: 8130.090.00.0	
<b>DRIVER OPTIONS ON/OFF</b>	24V100W Art. no.: 0124.100.10.0	
	24V150W Art. no.: 0124.150.10.0	
	24V240W Art. no.: 0124.240.10.0	
<b>DALI CONVERTER 240W</b>	4 x cable + 2 x female, 0,5m Art. no.: 8140.099.00.0	
<b>POWER CABLE ON/OFF IP65</b>	1 x female + 1 x waterproof connector, 0,5m Art. no.: 8140.091.98.0	
<b>POWER CABLE DALI IP20</b>	1 x female + 1 x semi-shearing, 0,5m Art. no.: 8140.091.99.0	
<b>T-CONNECTOR IP65</b>	2 x female + 1 x male, 1m Art. no.: 8140.091.00.0	
<b>CABLE</b> Incl. male + female plug	<b>1m</b>	8140.091.01.0
	<b>2m</b>	8140.091.02.0
	<b>5m</b>	8140.091.05.0
	<b>10m</b>	8140.091.10.0
	<b>25m</b>	8140.091.25.0






## INFORMATION

Fixture is including 500mm cable with plug.

Use mounting box for installation in soft ground. For installation in hard surface mounting box is not necessary.

Always select a driver option and add the selected driver to your order.

-  On/off max. cable length 100m max. 50W  
DALI max. cable length 100m max. 30W
-  For connection schedule see last page of this chapter
-  Full warranty only applies when fixture is purchased in combination with recommended driver.

ARTICLE NUMBER	LAMP TYPE	BRAND	LUMINOUS FLUX	OUTPUT POWER	MODULE EFFICIENCY	COLOR TEMPERATURE	CRI	TC LIFETIME	mA	Driver
8130.270.20.5	Oslon SSL	Osram	140lm	1.5W	93lm/W	2700K	>90	50.000 Hrs	63mA	Excluded

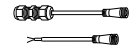
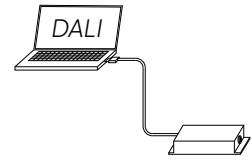
AVAILABLE PARTS

ARTICLE NUMBER	NAME	DESCRIPTION	LENGTH	IP
8140.099.00.0	DALI converter	4x cable + 2x female	500mm	IP20

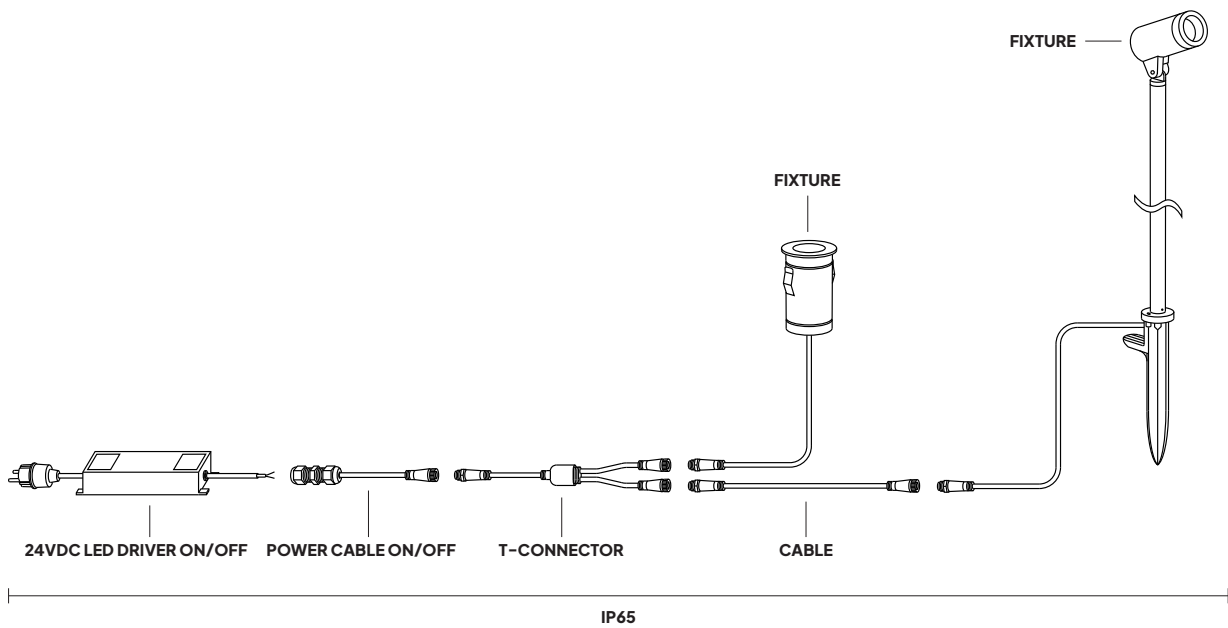
ARTICLE NUMBER	NAME	DESCRIPTION	LENGTH	IP
8140.091.98.0	Power cable On/Off	1x female + waterproof connector	500mm	IP65
8140.091.99.0	Power cable DALI	1x female + 1x semi-shearing	500mm	IP20

ARTICLE NUMBER	NAME	DESCRIPTION	LENGTH	IP
8140.091.00.0	T-connector	2x female + 1x male	1000mm	IP65

ARTICLE NUMBER	NAME	DESCRIPTION	LENGTH	IP
8140.091.01.0	Cable	1x female + 1x male	1000mm	IP65
8140.091.02.0	Cable	1x female + 1x male	2000mm	IP65
8140.091.05.0	Cable	1x female + 1x male	5000mm	IP65
8140.091.10.0	Cable	1x female + 1x male	10000mm	IP65
8140.091.25.0	Cable	1x female + 1x male	25000mm	IP65



ON/OFF CONNECTION



DALI CONNECTION

