


PRODUCT MATERIAL	Aluminium and poly carbonate
LIGHT SOURCE	Samsung SMD 2835
MODULE LIFETIME	Approx. 40.000 hours
DRIVER	Including on/off driver
COLORS	○ 3 = RAL 9003 white
BEAM ANGLE	
SIZE	See technical drawing



OPTIONS

SUSPENSION SET	2 Steel wires, standard 1 mtr Art. no.: 5022.999.99.0
LINKABLE END CAP	Linkable end cap with wire Art. no.: 5022.230.10.0
REMOTE CONTROL	Remote control for sensor Art. no.: 5022.300.10.0
EMERGENCY MODULE	Emergency time: 3 hours
SENSOR	Motion and daylight sensor



INFORMATION

Flicker free TUV certificated driver

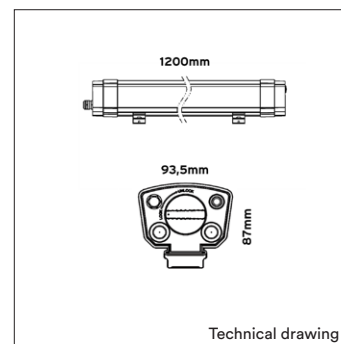
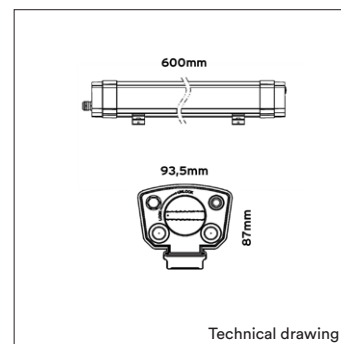
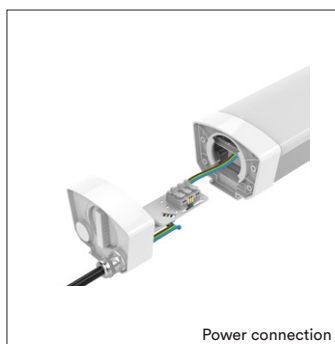
Emergency New Vand is **not** available in linkable type

Excluded cables

Including ceiling frame

SR = Motion and daylight sensor

EM = Emergency module



ARTICLE NUMBER △ See colors	LAMP TYPE	BRAND	LUMINOUS FLUX	OUTPUT POWER	MODULE EFFICIENCY	COLOR TEMPERATURE	CRI	TC LIFETIME	LENGTH
5022.060.20.6	SMD 2835	Samsung	2000lm	20W	100lm/W	4000K	>80	40.000 Hrs	600mm
5022.120.40.6	SMD 2835	Samsung	5200lm	40W	130lm/W	4000K	>80	40.000 Hrs	1200mm
5022.120.40.6SR	SMD 2835	Samsung	5200lm	40W	130lm/W	4000K	>80	40.000 Hrs	1200mm
5022.120.40.6EM	SMD 2835	Samsung	5200lm	40W	130lm/W	4000K	>80	40.000 Hrs	1200mm