

PRODUCT MATERIAL	Steel and aluminium
LIGHT SOURCE	LED module
MODULE LIFETIME	Approx. 30.000 hours
DRIVER	Including on/off driver
COLORS (Δ)	<input type="radio"/> 3 = RAL 9003 white <input checked="" type="radio"/> 5 = RAL 9005 black <input type="radio"/> 6 = RAL 9006 alu
SIZE	35 X 175 X 39mm



OPTIONS

COLORS	Available in all RAL colours or Anodic Brown on request. Additional price + 10%
DRIVER OPTIONS	Phase cut 350mA 1-15W Art. no.: 0107.350.20.2
	1/10V 350mA 0-6W Art. no.: 0106.350.30.0
	DALI 350mA 1-15W Art. no.: 0115.350.40.0

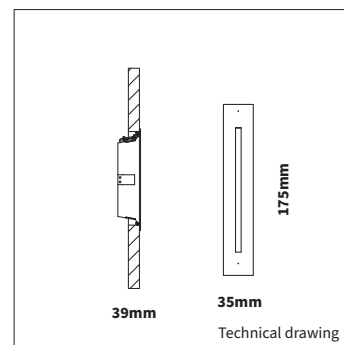
INFORMATION

Including recessed frame / plasterkit

 **Driver on/off in frame, dimmable driver external**

Full warranty only applies when fixture is purchased in combination with recommended driver.

Keylight International reserves the right to modify or change technical, construction or LED specifications due to continuous improvements of our products and light sources.



ARTICLE NUMBER	LAMP TYPE	BRAND	LUMINOUS FLUX	OUTPUT POWER	MODULE EFFICIENCY	COLOR TEMPERATURE	CRI	TC LIFETIME	mA
Δ See colors 6121.101.12.Δ	LED module	Keylight	100lm	3W	33lm/W	2700K	>80	30.000 Hrs	350mA