




PRODUCT MATERIAL	Die-cast aluminium
LIGHT SOURCE	Bridgelux DtW
MODULE LIFETIME	Approx. 50.000 hours
DRIVER	Including phase cut dimmable driver
COLORS (Δ)	<input type="radio"/> 3 = RAL 9003 white <input checked="" type="radio"/> 5 = RAL 9005 black
BEAM ANGLE	 24°
ADJUSTABLE	Rotating 350°, 55° tiltable
DIMMABLE	Yes
SIZE	Ø59 X 152 X 35mm




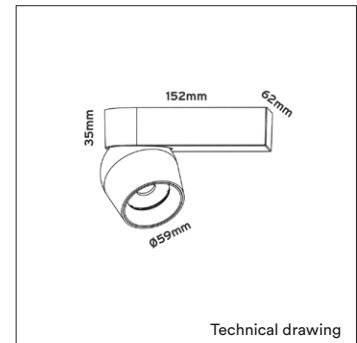
OPTIONS

OPTIONAL BEAM ANGLE	 36° Art. no.: 3066.010.36.0
	 50° Art. no.: 3066.010.50.0
ANTI-GLARE RING	Black anti-glare ring Included
	Gold mat anti-glare ring Art. no.: 3066.030.00.9
HONEYCOMB	Art. no.: 3066.040.00.0
DRIVER OPTIONS	1/10V 250mA 8-11W Art. no.: 0115.250.30.1
	DALI 250mA 8-10W Art. no.: 0110.250.40.1

INFORMATION

Also available in track and recessed version.

 Full warranty only applies when fixture is purchased in combination with recommended driver.



ANTI-GLARE RING



HONEYCOMB



ARTICLE NUMBER	LAMP TYPE	BRAND	LUMINOUS FLUX	OUTPUT POWER	MODULE EFFICIENCY	COLOR TEMPERATURE	CRI	TC LIFETIME	mA
5066.125.24.Δ	DtW	Bridgelux	900lm	10W	90lm/W	1800-3000K DTW	>90	50.000 Hrs	250mA