

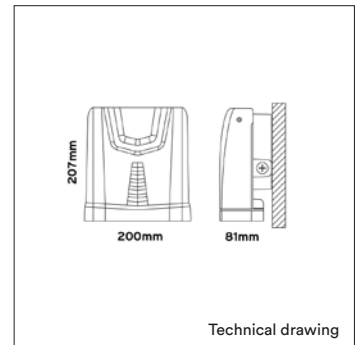
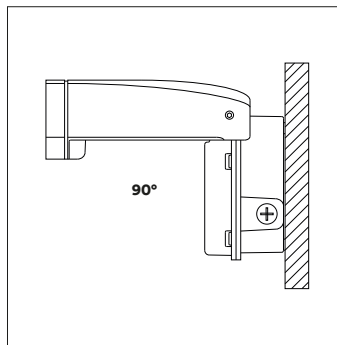


PRODUCT MATERIAL	Die-casting aluminium
LIGHT SOURCE	Lumileds 3030
MODULE LIFETIME	approx. 35.000 hours
DRIVER	Including on/off driver
COLORS	● 7 = RAL 9007 dark grey
BEAM ANGLE	 120°
ADJUSTABLE	90° adjustable head
SIZE	200 X 207mm
OPTIONS	
DAYLIGHT SENSOR	Turn on light level: 10-16 Lux Turn off light level: >65 Lux Art. no.: 8252.999.99.0



INFORMATION

 The hole for wall mounting should not be any bigger than 130 x 130mm (B X H)



Technical drawing



Wally with daylight sensor

ARTICLE NUMBER	LAMP TYPE	BRAND	LUMINOUS FLUX	OUTPUT POWER	MODULE EFFICIENCY	COLOR TEMPERATURE	CRI	TC LIFETIME	mA
8252.030.00.7	3030	Lumileds	3600lm	30W	120lm/W	4000K	>80	35.000 Hrs	630mA