



NEW
LINE - ECO

PRODUCT MATERIAL	Steel housing, aluminium gear tray
LIGHT SOURCE	SMD2835
MODULE LIFETIME	Approx. 50.000 hours
DRIVER	Including flicker free driver
COLORS	○ 3 = RAL 9003 white
REFLECTOR	Opal polycarbonate
ADJUSTABLE	No
SIZE	1200/1500 X 62 X 71mm

OPTIONS

DIMMABLE	1-10V dimming available on request
EMERGENCY	Emergency time: 3 hours Charging time: 24 hours Output const. current: 5W/100mA
DAYLIGHT SENSOR	Detection range: 0-8m (adjustable) Time setting: 0 sec. to 30 min Light control: 0~2000 Lux Standby power: Approx. 0,9W

INFORMATION

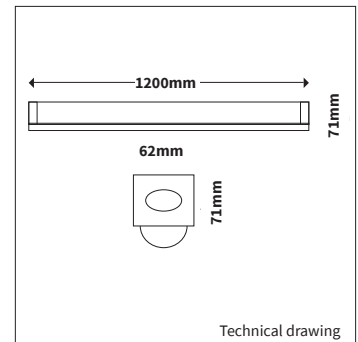
WARRANTY	5 Years
-----------------	---------

Flicker free driver

Keylight International reserves the right to modify or change technical, construction or LED specifications due to continuous improvements of our products and lightsources. The light source in this product can be replaced with an equivalent module made by Philips, Osram or Tridonic.



LINE - ECO



ART.NR.	LAMP TYPE	BRAND	LUMINOUS FLUX	OUTPUT POWER	MODULE EFFICIENCY	COLOUR TEMPERATURE	CRI	TC LIFETIME	LENGTH
5023.120.30.3	SMD2835	Everlight	3300lm	30W	110lm/W	4000K	>80	50.000 Hrs	1200mm
5023.120.30.3MS	SMD2835	Everlight	3300lm	30W	110lm/W	4000K	>80	50.000 Hrs	1200mm
5023.120.30.3EM	SMD2835	Everlight	3300lm	30W	110lm/W	4000K	>80	50.000 Hrs	1200mm
5023.150.45.3	SMD2835	Everlight	5000lm	45W	111lm/W	4000K	>80	50.000 Hrs	1500mm
5023.150.45.3MS	SMD2835	Everlight	5000lm	45W	111lm/W	4000K	>80	50.000 Hrs	1500mm
5023.150.45.3EM	SMD2835	Everlight	5000lm	45W	111lm/W	4000K	>80	50.000 Hrs	1500mm

EM = Emergency module
MS = Motion sensor