

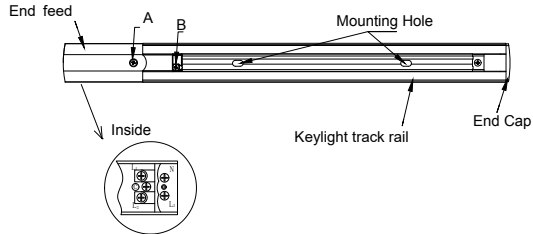
## 3F TRACK SYSTEM



RoHS IP20

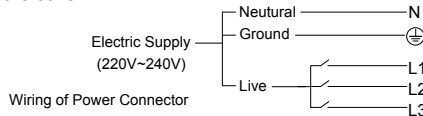
### KEYLIGHT TRACK RAIL (1000MM/2000MM/3000MM)

9631.995.99.Δ, 9632.995.99.Δ, 9633.995.99.Δ



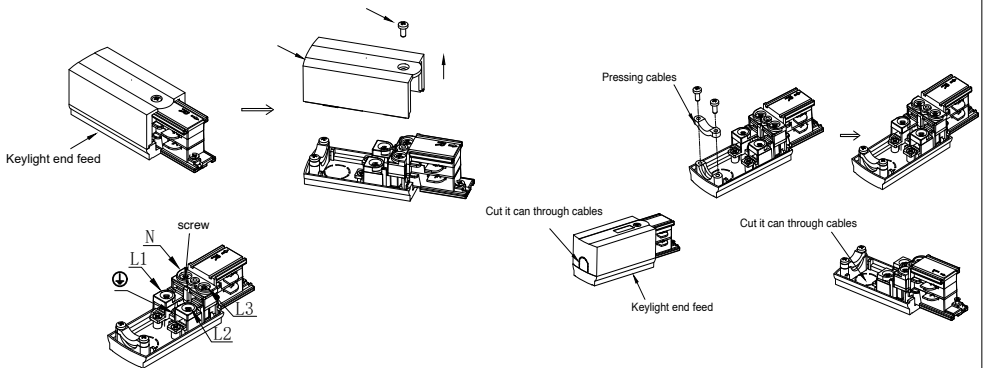
1. Screw holes on the installation surface according to the track mounting holes. Fix it with the plastic parts and drilling screws.

2. Loose screw A, open the cover and connect the electric supply with the power connector. Assure the correct connection among the Live (L1, L2, L3), Neutral (N) and Ground wires (⊕), and then replace the cover.



### KEYLIGHT END FEED (LEFT/RIGHT)

9651.995.99.Δ, 9652.995.99.Δ



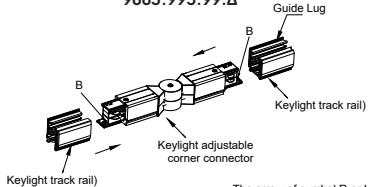
## 3F TRACK SYSTEM



RoHS IP20

### KEYLIGHT ADJUSTABLE CORNER CONNEC-

9663.995.99.Δ

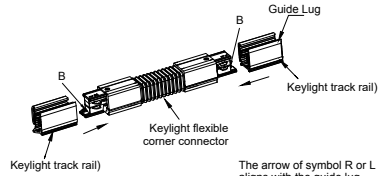


The arrow of symbol R or L aligns with the guide lug.

Loose the screws B, insert the track according to the arrow direction, and then tighten the screws B firmly.

### KEYLIGHT FLEXIBLE CORNER CONNECTOR

9667.995.99.Δ

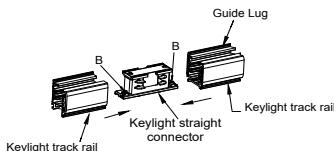


The arrow of symbol R or L aligns with the guide lug.

Loose the screws B, insert the track according to the arrow direction, and then tighten the screws B firmly.

### KEYLIGHT STRAIGHT CONNECTOR

9654.996.99.Δ

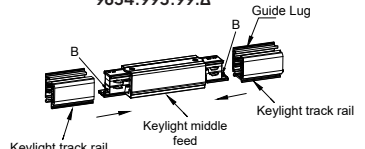


Guide lug and screw B are not on the same side.

Loose the screws B, insert the track according to the arrow direction, and then tighten the screws B firmly.

### KEYLIGHT MIDDLE FEED

9654.995.99.Δ



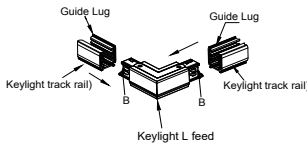
The arrow of symbol R or L aligns with the guide lug.

Loose the screws B, insert the track according to the arrow direction, and then tighten the screws B firmly.

### KEYLIGHT L FEED (OUTSIDE/INSIDE)

9661.995.99.Δ, 9657.995.99.Δ, 9659.995.99.Δ,

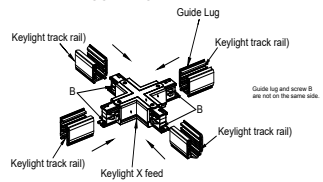
The arrow of symbol R or L aligns with the guide lug.



Loose the screws B, insert the track according to the arrow direction, and then tighten the screws B firmly.

### KEYLIGHT X FEED

9662.995.99.Δ

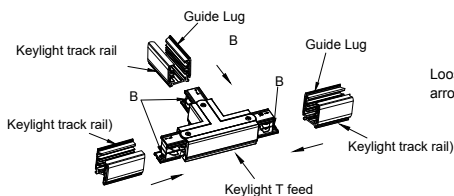


Guide lug and screw B are not on the same side.

Loose the screws B, insert the track according to the arrow direction, and then tighten the screws B firmly.

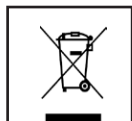
### KEYLIGHT T FEED (OUSTIDE/INSIDE, LEFT/RIGHT)

96661.995.99.Δ, 9657.995.99.Δ, 9659.995.99.Δ, 9658.995.99.Δ



Loose the screws B, insert the track according to the arrow direction, and then tighten the screws B firmly.

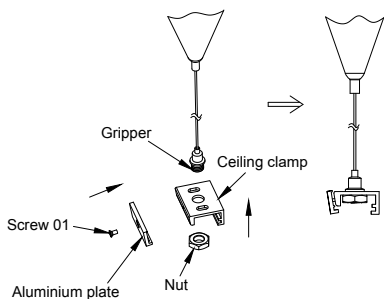
## 3F TRACK SYSTEM



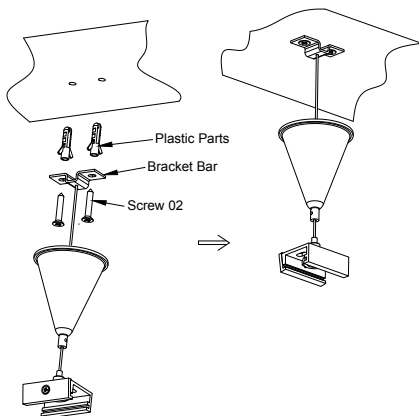
RoHS IP20

### KEYLIGHT SUSPENSION SET INCLUDING COVER + CLAMP

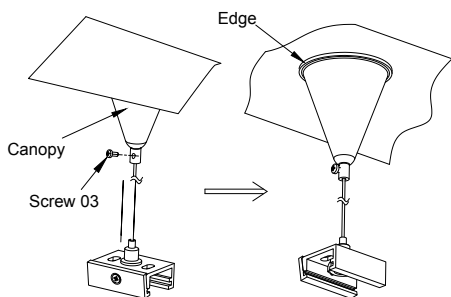
9687.996.99.Δ, 9687.997.99.Δ



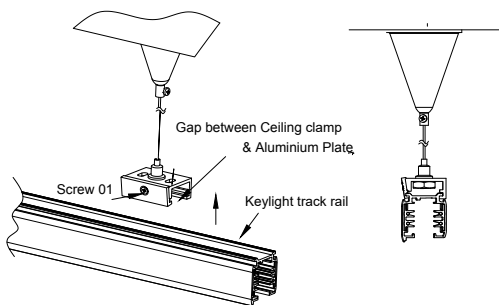
1. Insert the gripper through the ceiling clamp. Screw nut. Attach aluminium plate to ceiling clamp with Screw 01.  
P.S. do not tighten screw 01 firmly.



2. Drill 2 holes on the ceiling. Pay attention to the hole pitch and hole diameter. Then put 2 plastic parts into the ceiling and tighten 2 screw 01 to fix bracket bar on the ceiling.

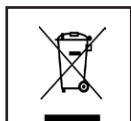


3. Use canopy to cover bracket bar with its edge close to the ceiling. Secure screw 02.



4. Attach ceiling clamp to upper groove of track, and then secure screw 01

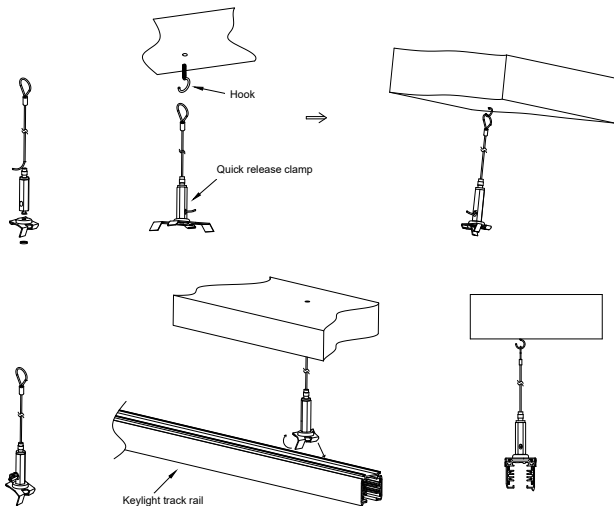
## 3F TRACK SYSTEM



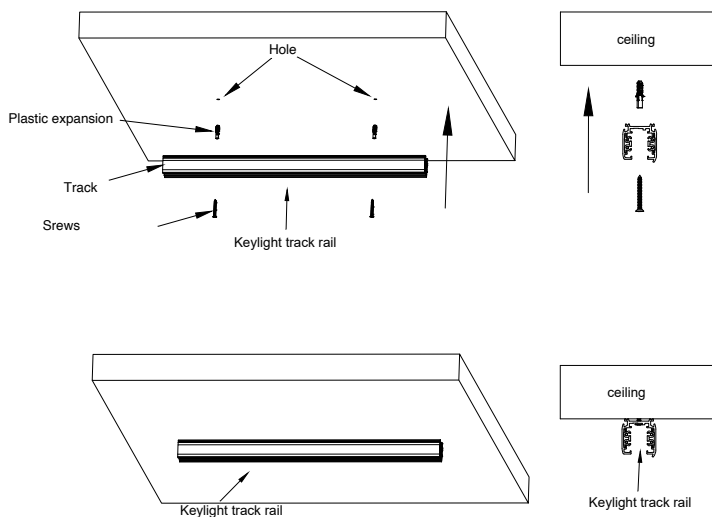
RoHS IP20

### KEYLIGHT SUSPENSION WIRE + QUICK RELEASE CLAMP

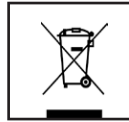
9688.996.99.Δ, 9688.997.99.Δ



### KEYLIGHT SURFACE MOUNTING



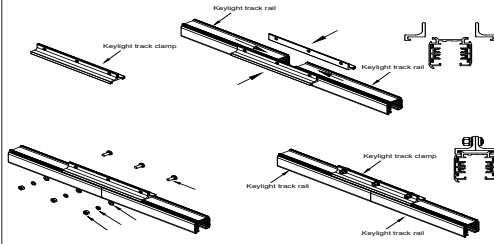
## 3F TRACK SYSTEM



RoHS IP20

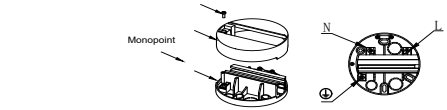
### KEYLIGHT TRACK CLAMP

9672.999.99.Δ



### KEYLIGHT MONO POINT

9691.995.99.Δ

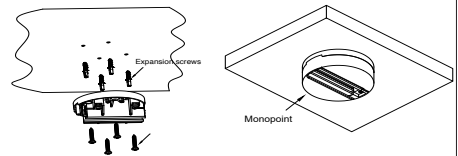
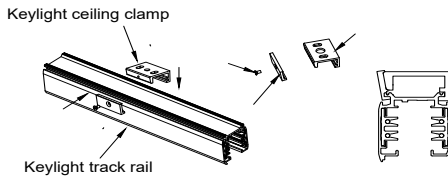


These three parts can be cut and through cable wires



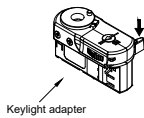
### KEYLIGHT CEILING CLAMP

9665.999.99.Δ



### KEYLIGHT ADAPTER INCL STRAIN RELIEF

9696.995.99.Δ



Keylight adapter

