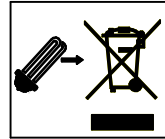
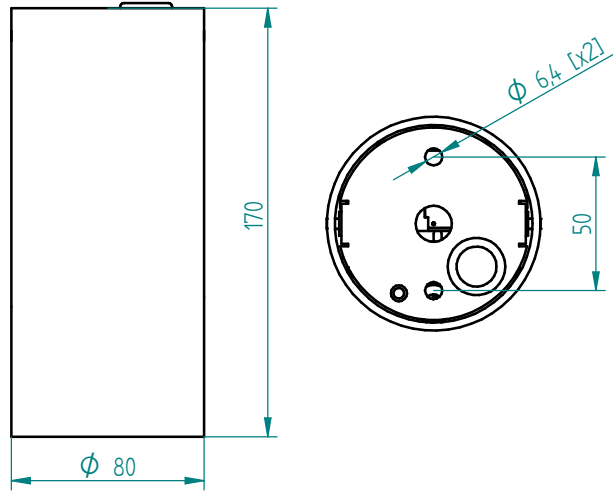


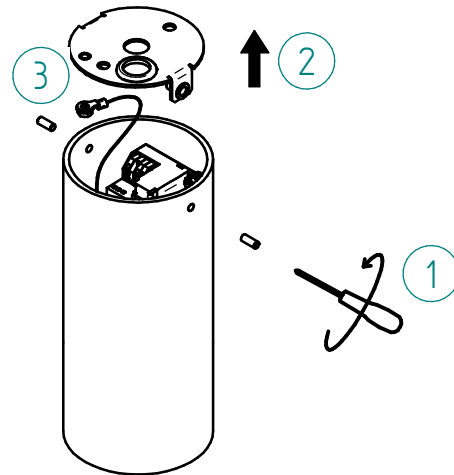
Buss



- PL Wyłączyć zasilanie przed wymianą lampy.
- EN Disconnect the unit before changing the lamp.
- F Debrancher l'appareil avant de changer la lampe.
- D Von den Auswechseln der lampe die Leuchte von der Netzspannung trennen.



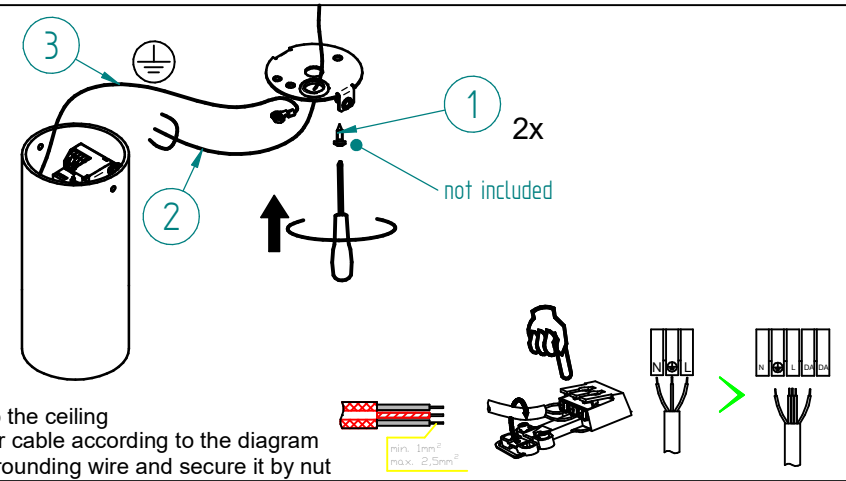
1



- 1 - Unfix two side torx screws
- 2 - Remove ceiling base
- 3 - Disconnect the grounding wire

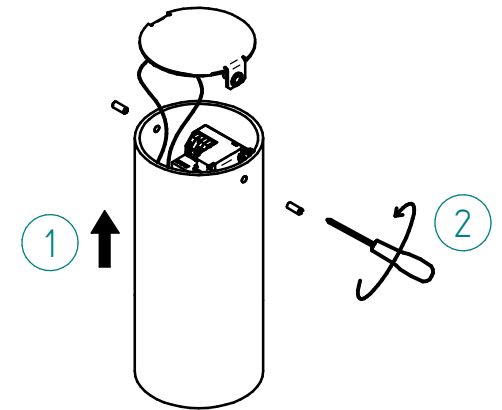
KEYLIGHT

2



- 1 - Fix the base to the ceiling
- 2 - Connect power cable according to the diagram
- 3 - Connect the grounding wire and secure it by nut

3



- 1 - Attach the tube to the ceiling base
- 2 - Fix the tube to the base by two torx screws

4

