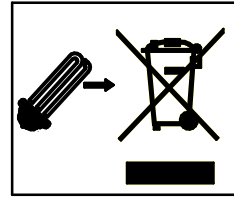
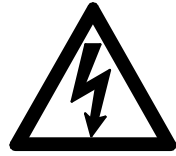
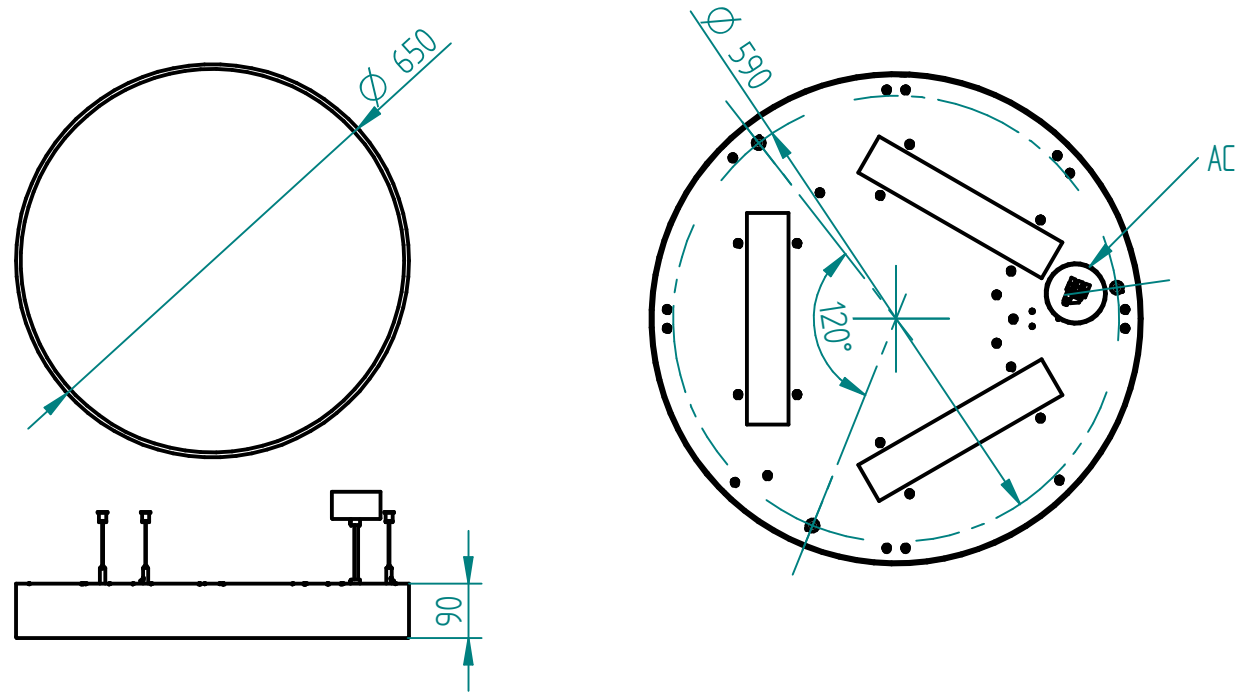


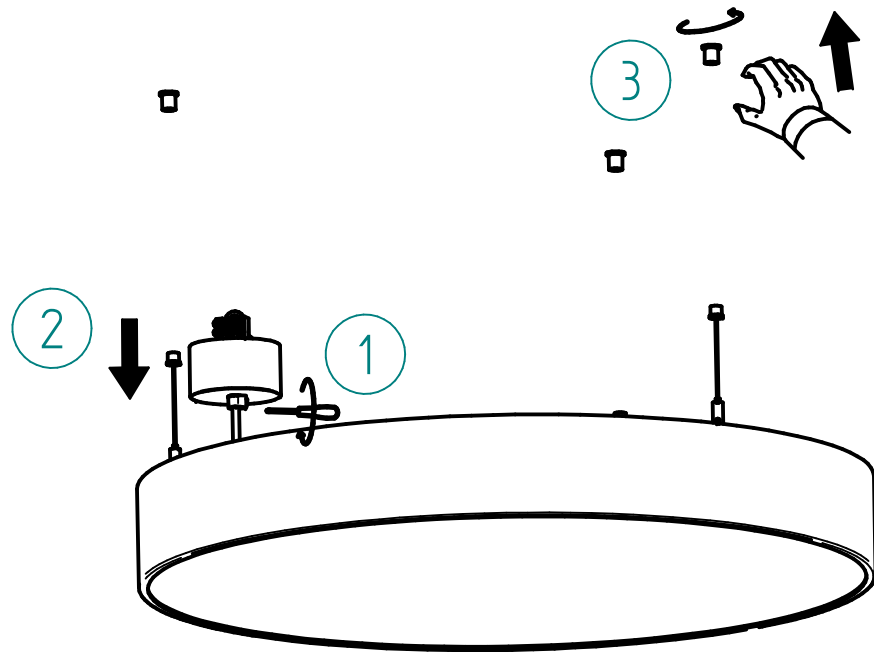
Orbit 65 P U/D



- PL Wyłączyć zasilanie przed wymianą lampy.
- EN Disconnect the unit before changing the lamp.
- F Debrancher l'appareil avant de changer la lampe.
- D Von den Auswechseln der lampe die Leuchte von der Netzspannung trennen.



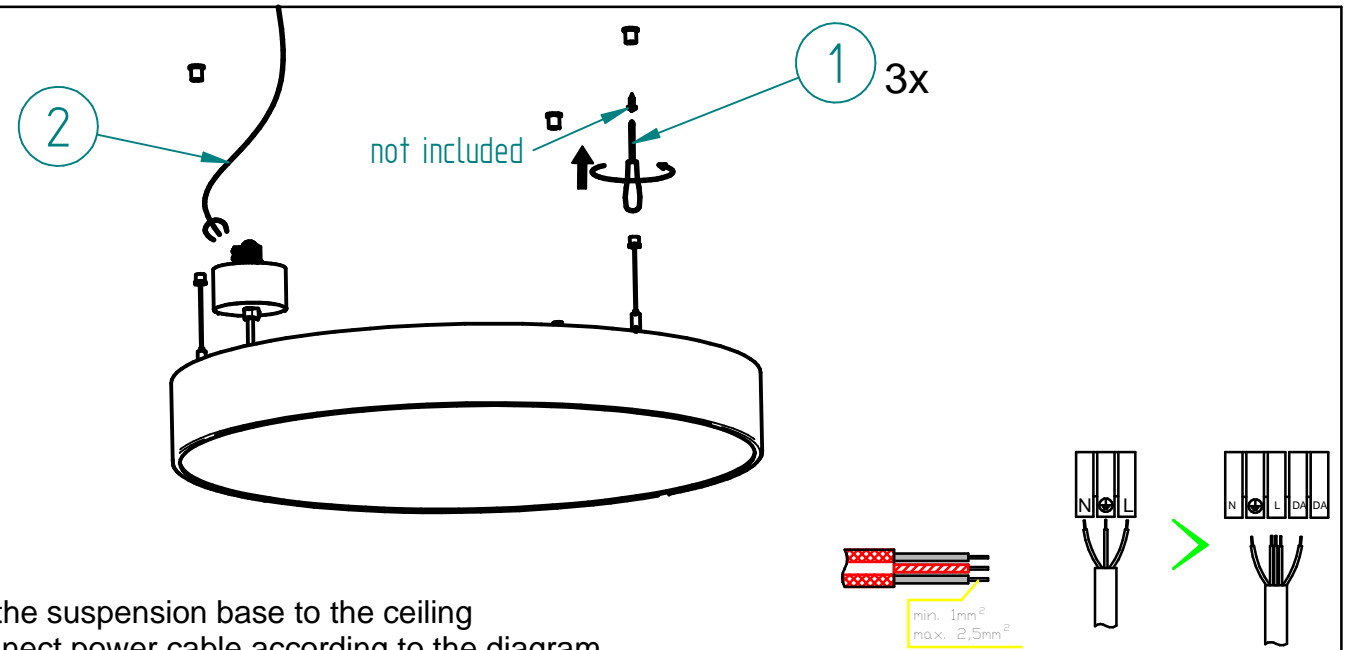
1



- 1 - Unfix side screw
- 2 - Lower the ceiling base
- 3 - Remove suspension base by turning it counterclockwise

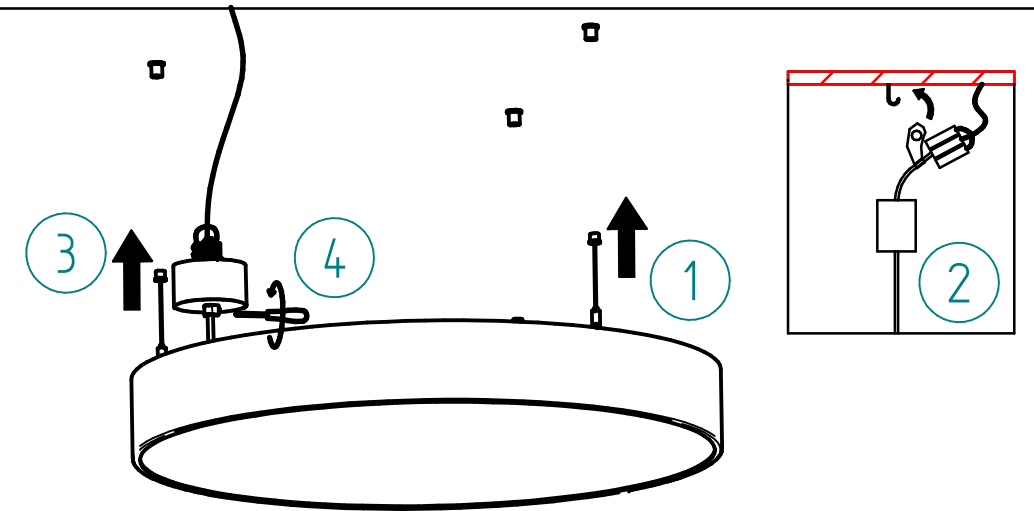
KEYLIGHT

2



- 1 - Fix the suspension base to the ceiling
- 2 - Connect power cable according to the diagram

3



- 1 - Fix the suspension to the suspension base by turning it clockwise
- 2 - Hang the cable on the hook
- 3 - Move the ceiling base to the ceiling
- 4 - Fix the side screw on the ceiling base

4

