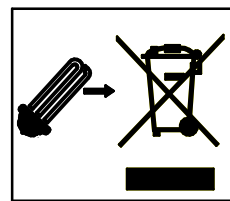
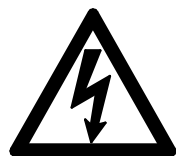
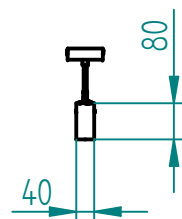


# PROFILE 400 P UD



PL Wyłączyć zasilanie przed wymianą lampy.  
 EN Disconnect the unit before changing the lamp.  
 F Debrancher l'appareil avant de changer la lampe.  
 D Von den Auswechseln der lampe die Leuchte von der Netzspannung trennen.

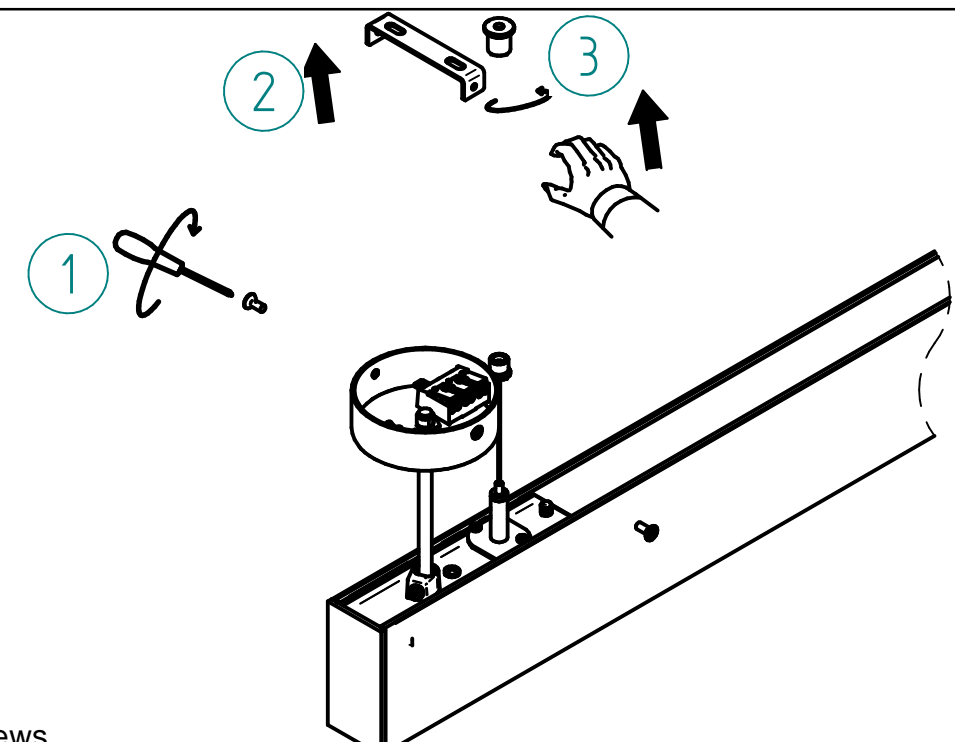


L	
2Ft =	581
3Ft =	862
4Ft =	1143
5Ft =	1424
6Ft =	1705
7Ft =	1986
8Ft =	2267
9Ft =	2548
10Ft =	2829



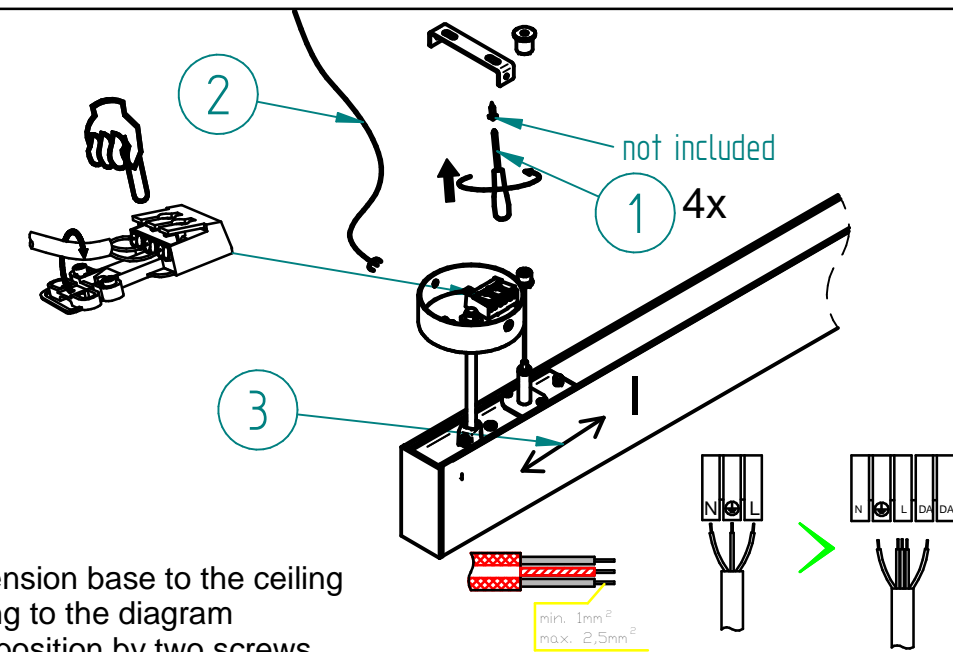
L + end caps	
2Ft =	587
3Ft =	868
4Ft =	1149
5Ft =	1430
6Ft =	1711
7Ft =	1992
8Ft =	2273
9Ft =	2554
10Ft =	2835

1



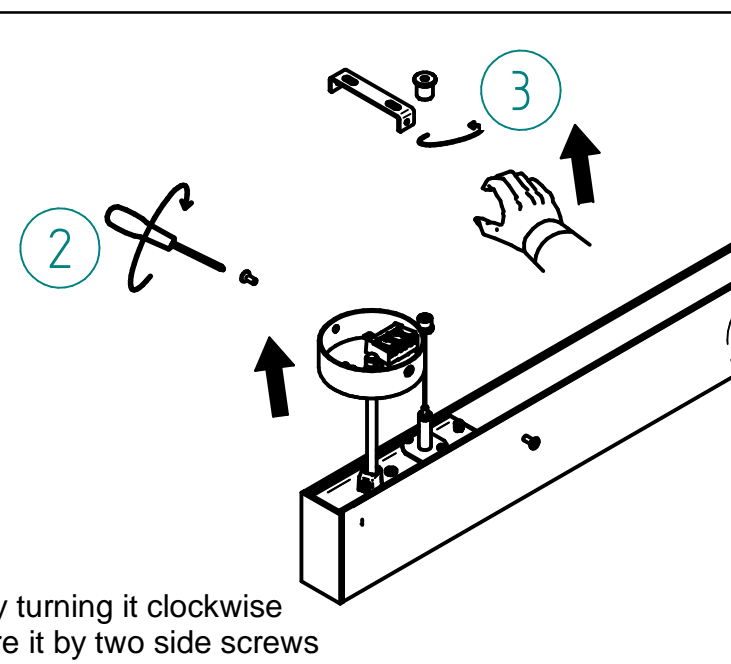
- 1 - Unfix two side screws
- 2 - Remove ceiling base
- 3 - Remove suspension base by turning it counterclockwise

2



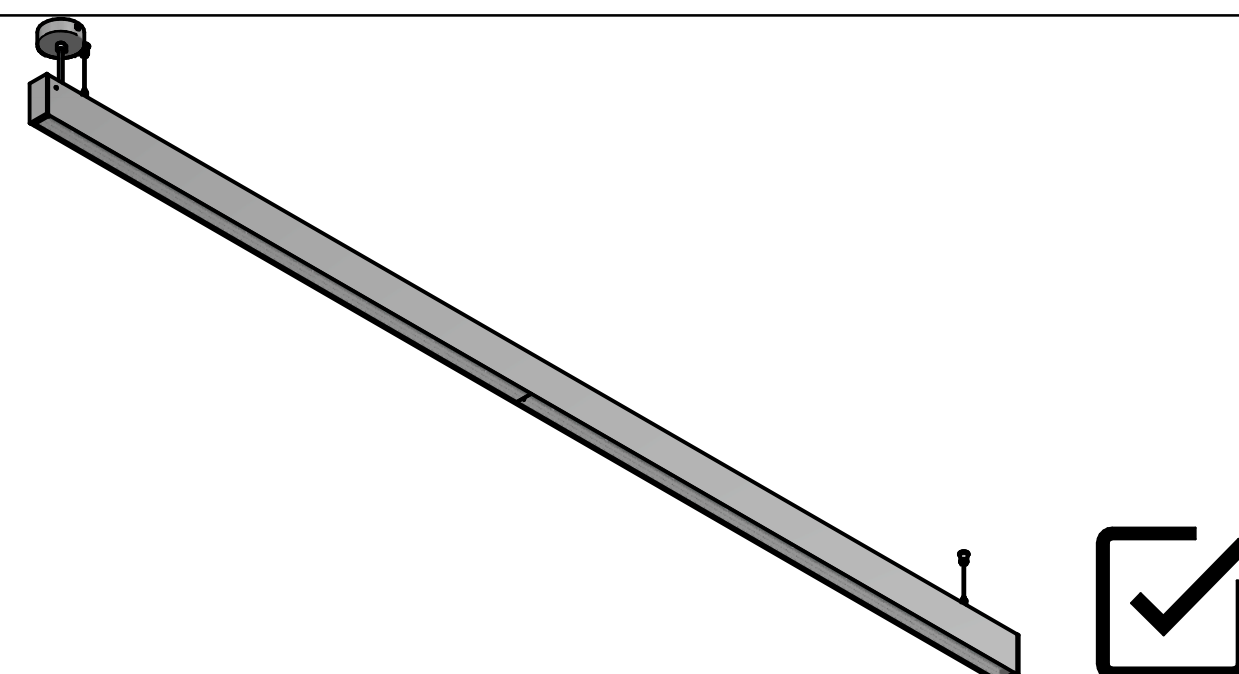
- 1 - Fix ceiling base and the suspension base to the ceiling
- 2 - Connect power cable according to the diagram
- 3 - Adjust suspension, and fix its position by two screws

3



- 1 - Fix the suspension to the suspension base by turning it clockwise
- 2 - Attach the tube to the ceiling base, and secure it by two side screws

4



# KEYLIGHT