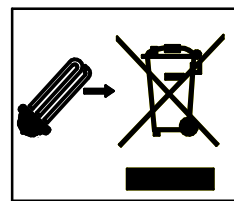
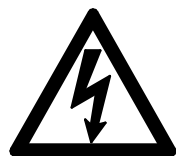
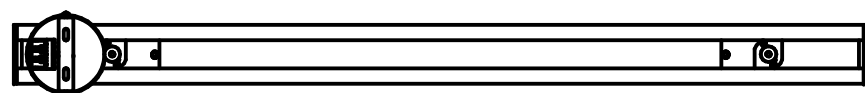
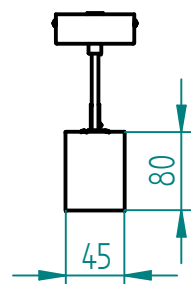
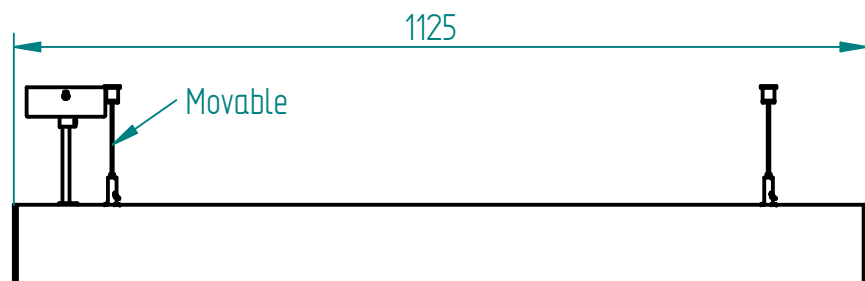


Profile 450 Sky



- PL Wyłączyć zasilanie przed wymianą lampy.
- EN Disconnect the unit before changing the lamp.
- F Debrancher l'appareil avant de changer la lampe.
- D Von den Auswechseln der lampe die Leuchte von der Netzspannung trennen.



1

- 1 - Unfix two side screws
- 2 - Remove ceiling base
- 3 - Remove suspension base by turning it counterclockwise

KEYLIGHT

2

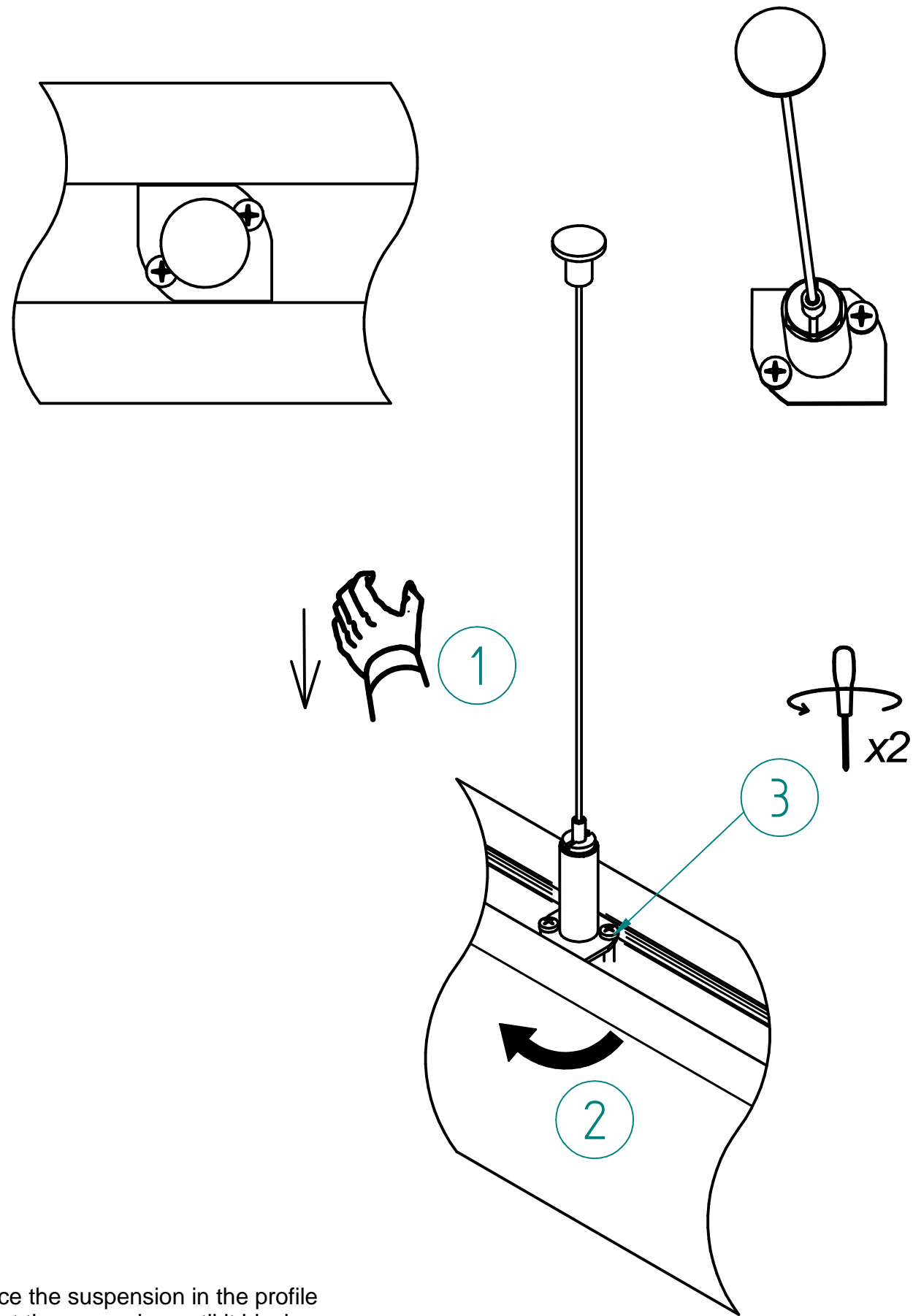
- 1 - Fix ceiling base and the suspension base to the ceiling
- 2 - Connect power cable according to the diagram
- 3 - Adjust suspension, and fix its position by two screws

3

- 1 - Fix the suspension to the suspension base by turning it clockwise
- 2 - Attach the tube to the ceiling base, and secure it by two side screws

4

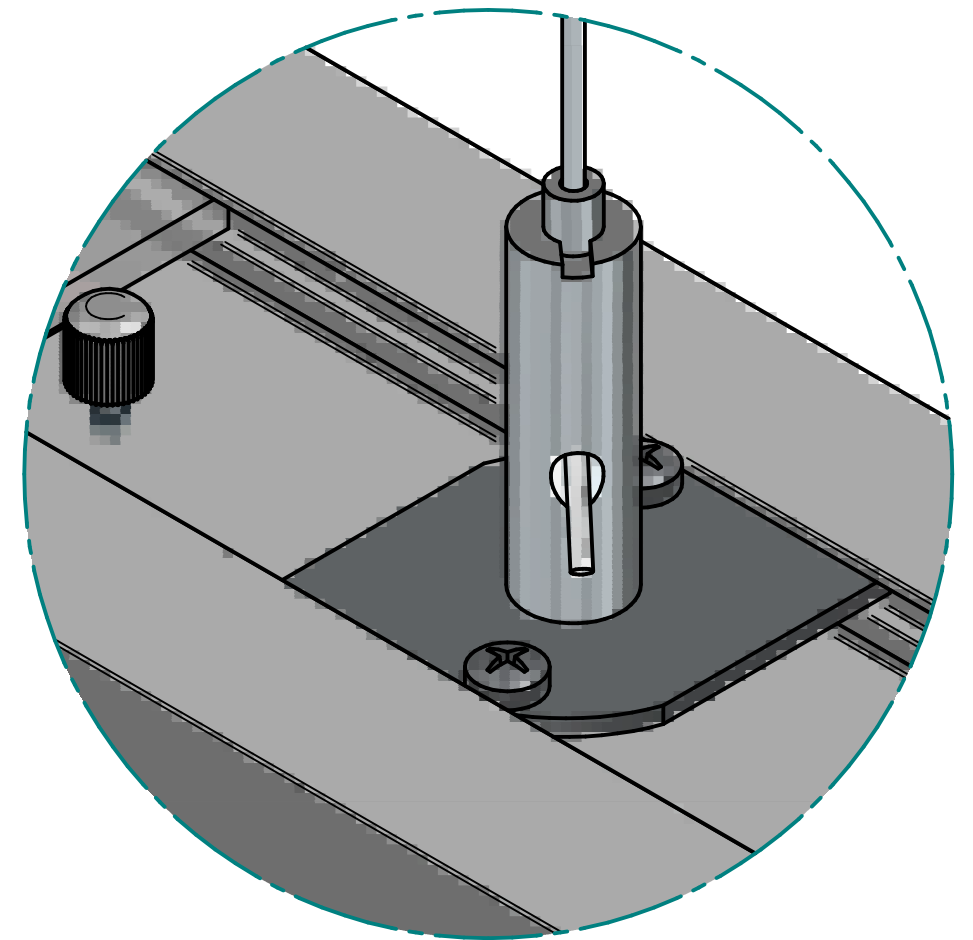
1 - SUSPENSION



- 1 - Place the suspension in the profile
- 2 - Twist the suspension until it blocks
- 3 - Adjust and fix its position by two screws

KEYLIGHT

2



DETAIL A

