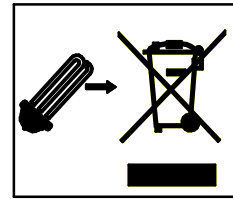
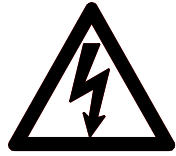
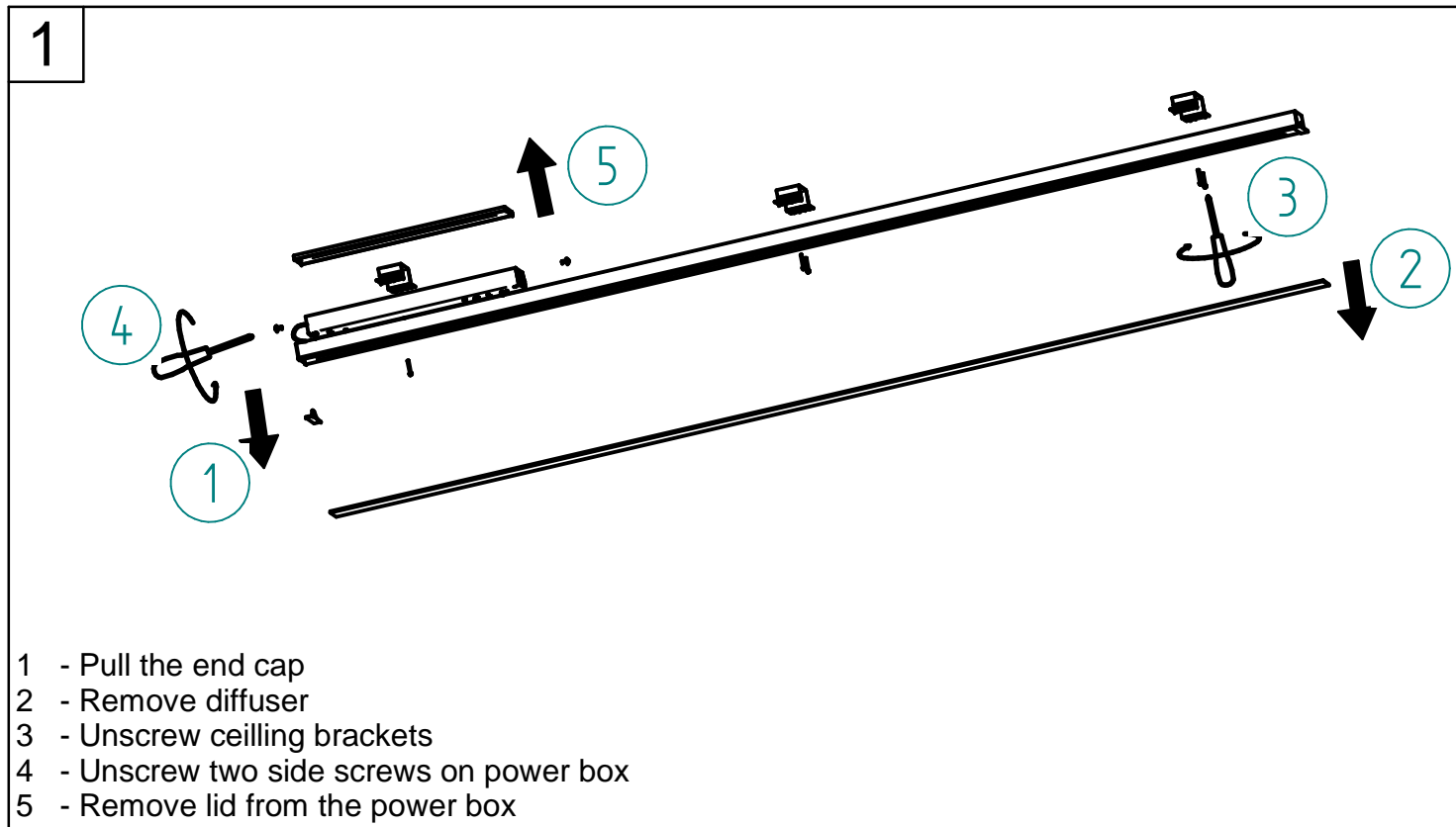
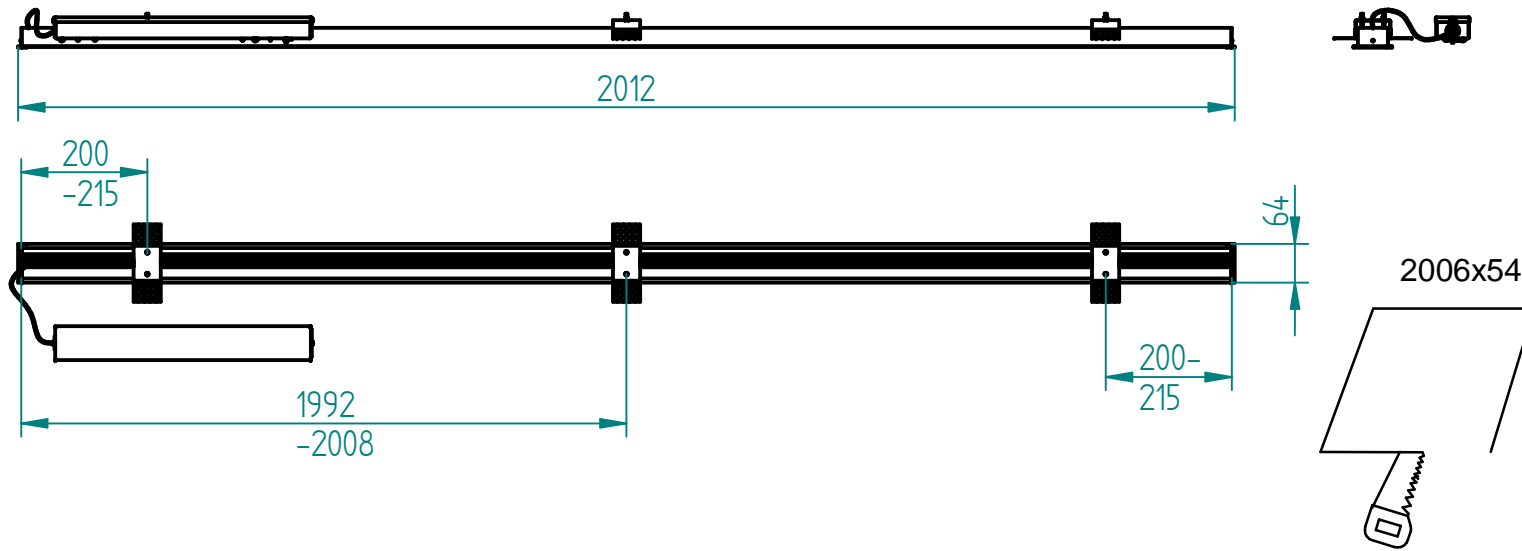


# PROFILE 500 RECESSED



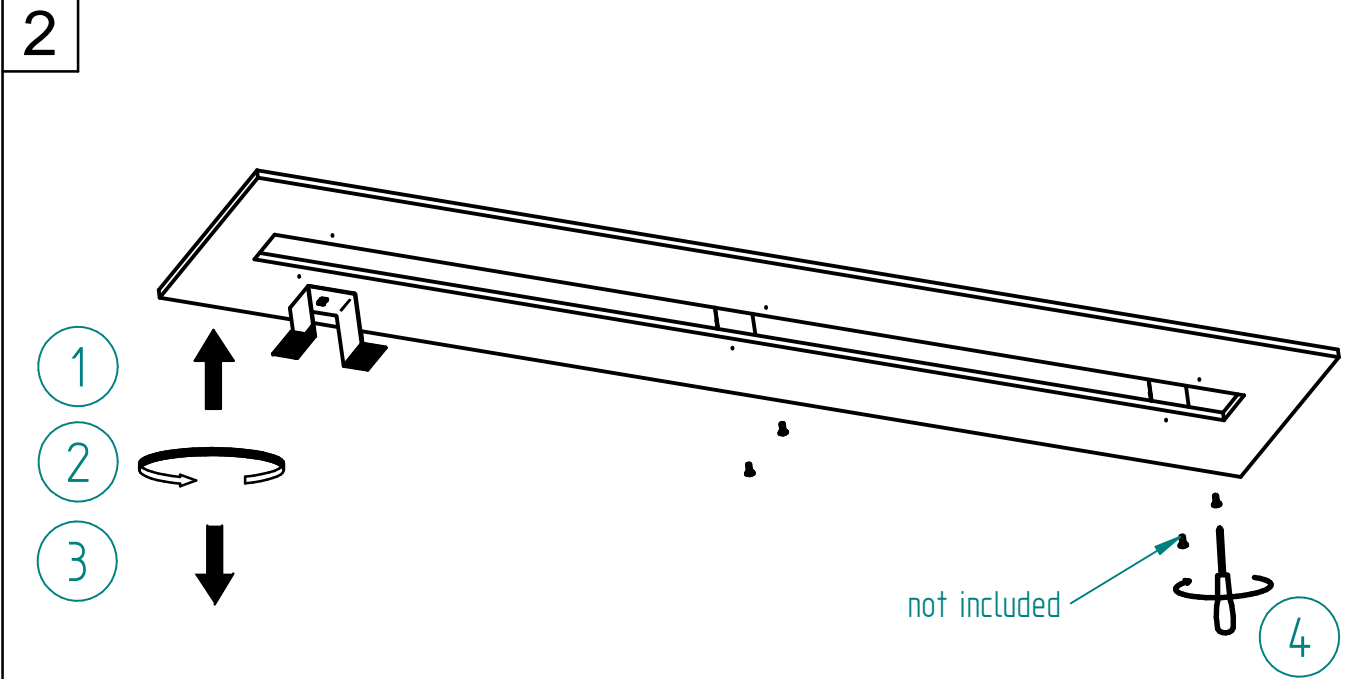
- PL Wyłączyć zasilanie przed wymianą lampy.
- EN Disconnect the unit before changing the lamp.
- F Debrancher l'appareil avant de changer la lampe.
- D Von den Auswechslern der lampe die Leuchte von der Netzspannung trennen.

For ceiling 5-18mm thick

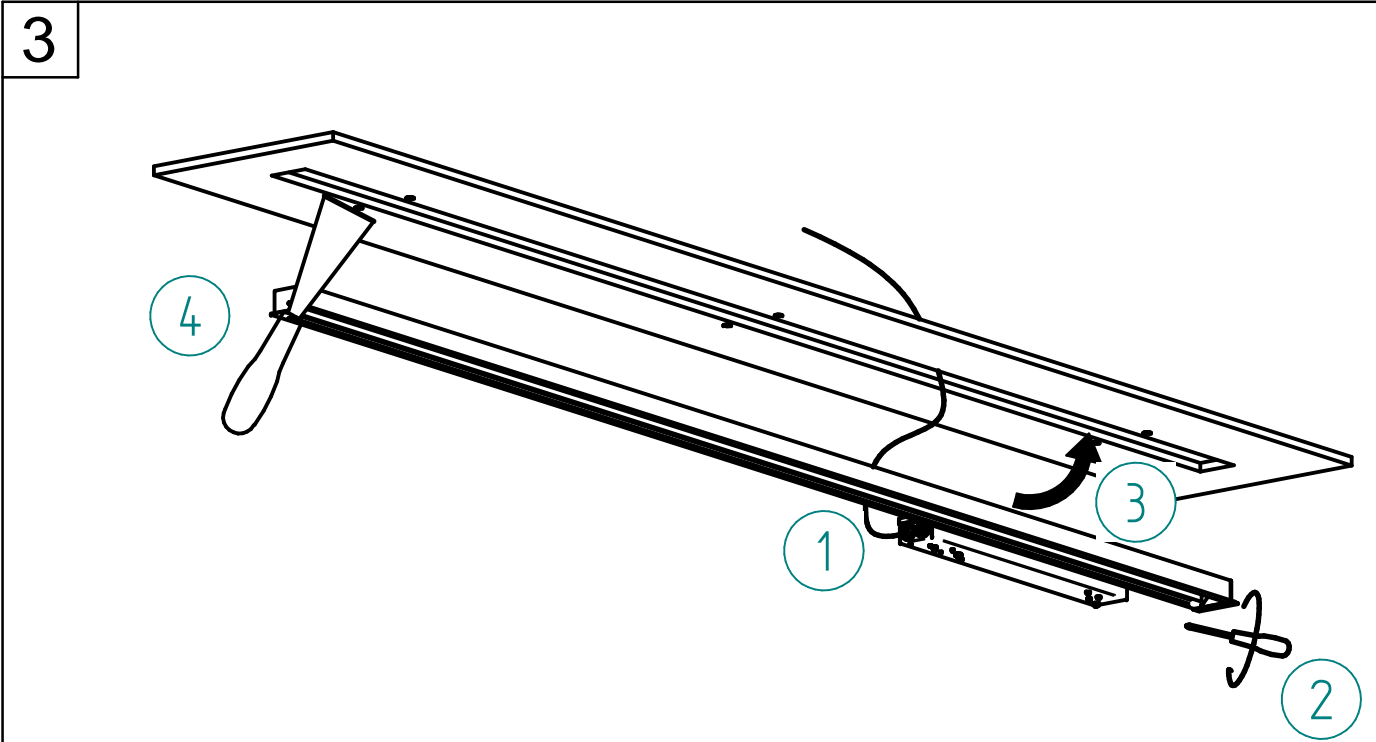


- 1 - Pull the end cap
- 2 - Remove diffuser
- 3 - Unscrew ceiling brackets
- 4 - Unscrew two side screws on power box
- 5 - Remove lid from the power box

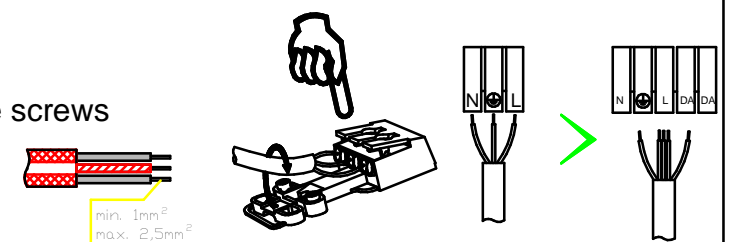
# KEYLIGHT



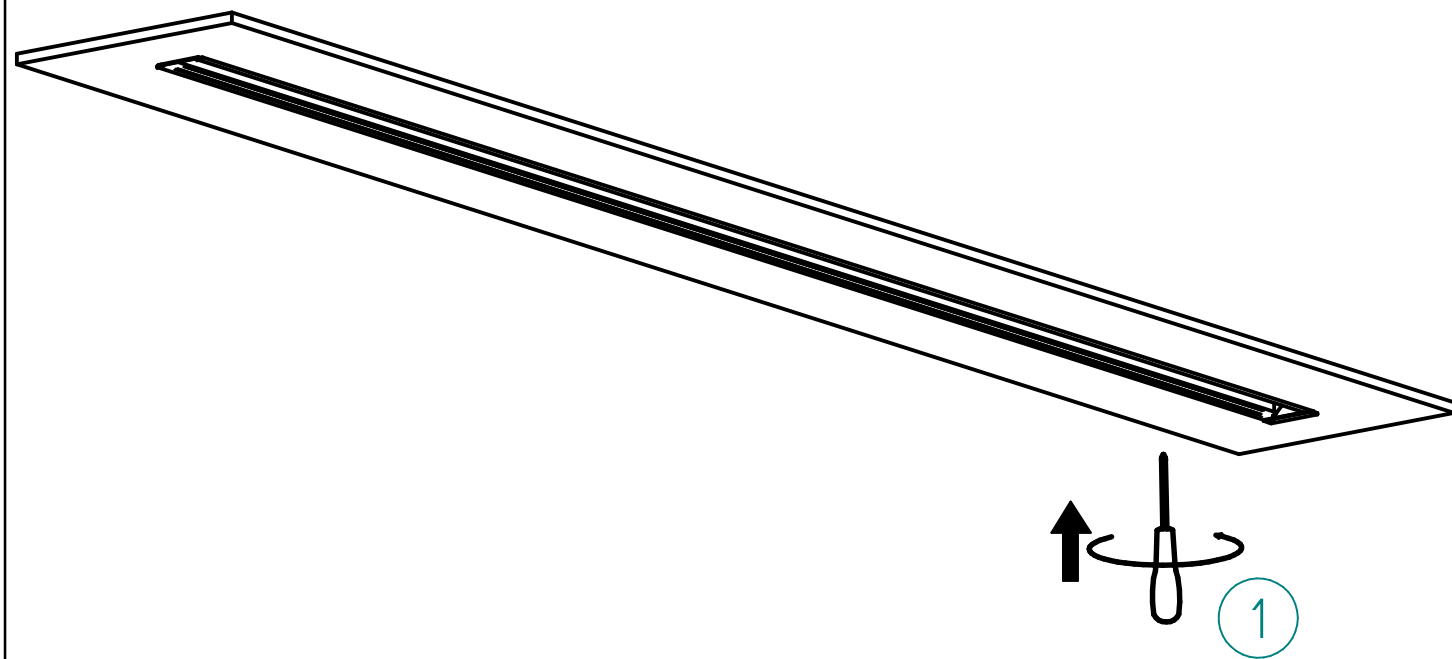
- 1-3 - Place the bracket on the ceiling
- 4 - Fix brackets trough ceiling



- 1 - Connect power cable according to the diagram
- 2 - Close lid on the power box, and fix it by two side screws
- 3 - Place the power box on the ceiling
- 4 - Plaster all screws



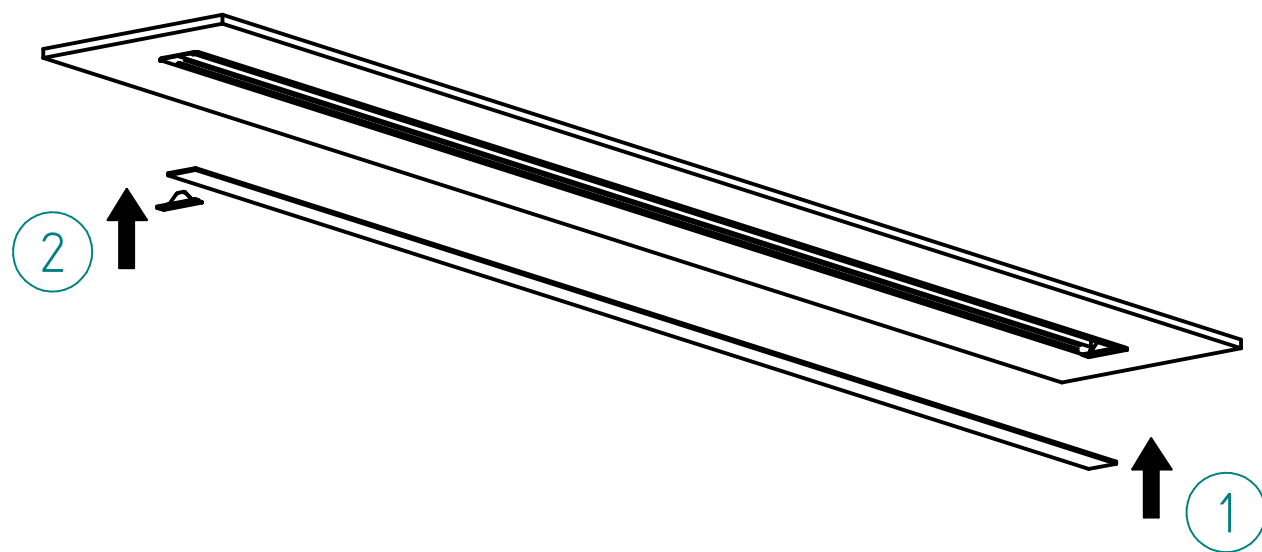
4



1 - Fix the profile to the brackets and and adjust it to the ceiling

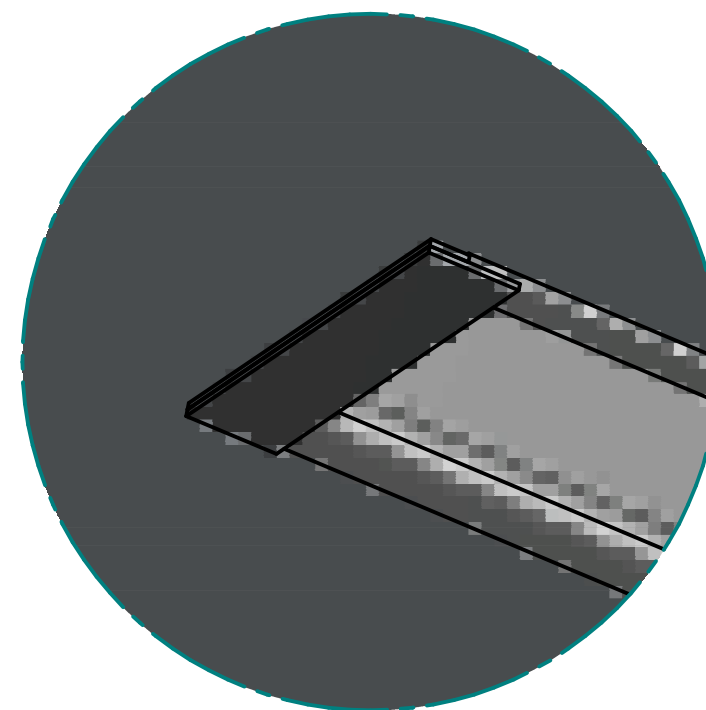
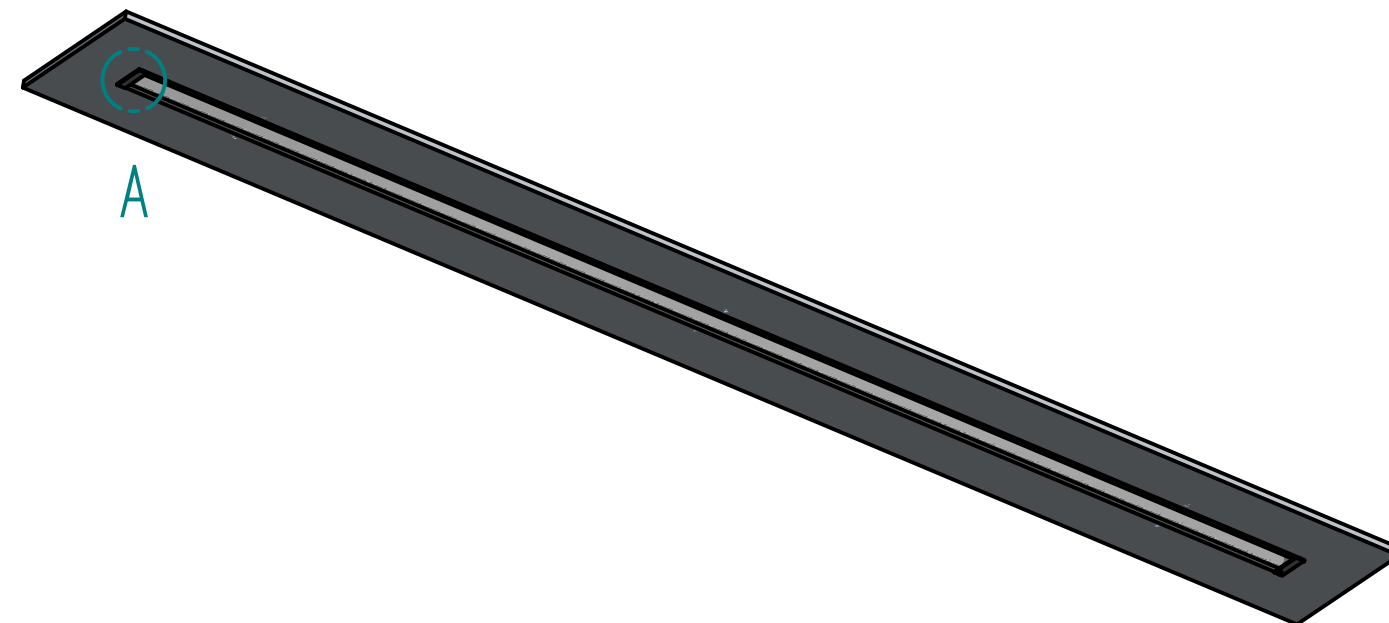
5

Attention: Because of electrostatic effect diffuser may take small dirts and dust.  
Clean diffusers with soft cloth f.ex. microfibra from dirts or dust direct before finall assembly.



1 - Place the diffuser into the profile  
2 - Insert the end cap

6



DETAIL A

