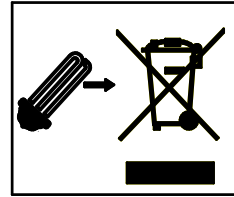
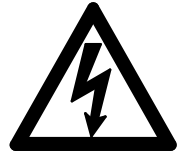
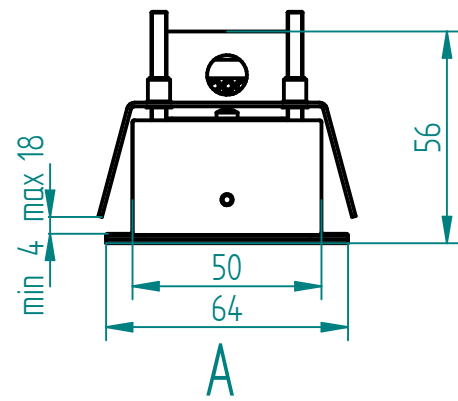
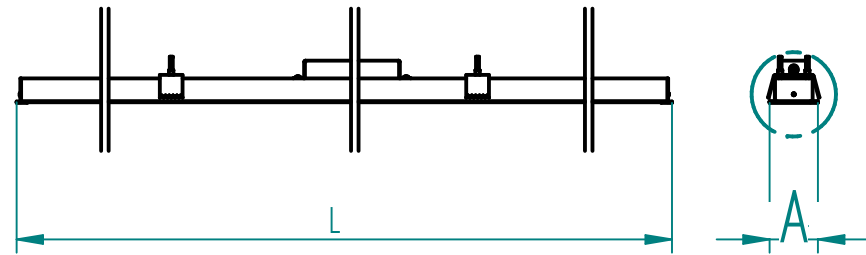


PROFILE 500 RECESSED TW



- PL Wyłączyć zasilanie przed wymianą lampy.
- EN Disconnect the unit before changing the lamp.
- F Debrancher l'appareil avant de changer la lampe.
- D Von den Auswechseln der lampe die Leuchte von der Netzspannung trennen.

Cut size			
Nr	Profile typ	L	Width
1	P 50 REC 2200	570	56
2	P 50 REC 4400	1151	56



1

1. Pull the end cap
2. Remove diffuser
3. Fold back the cover
4. Connect power cable according to the diagram
5. Fold back the cover for the original position

min. 1mm²
max. 2,5mm²

2

1. Put a profile into the ceiling
2. Tighten the screws

3

Attention: Because of electrostatic effect diffuser may take small dirt and dust. Clean diffusers with soft cloth f.ex. microfibra from dirt or dust direct before final assembly

1. Push the diffuser into the profile - one click
2. Push the end cap - two click

4

KEYLIGHT