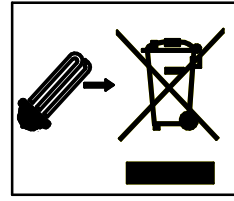
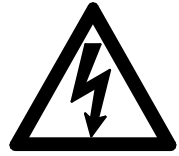
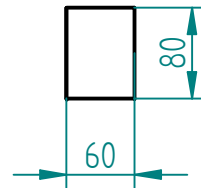


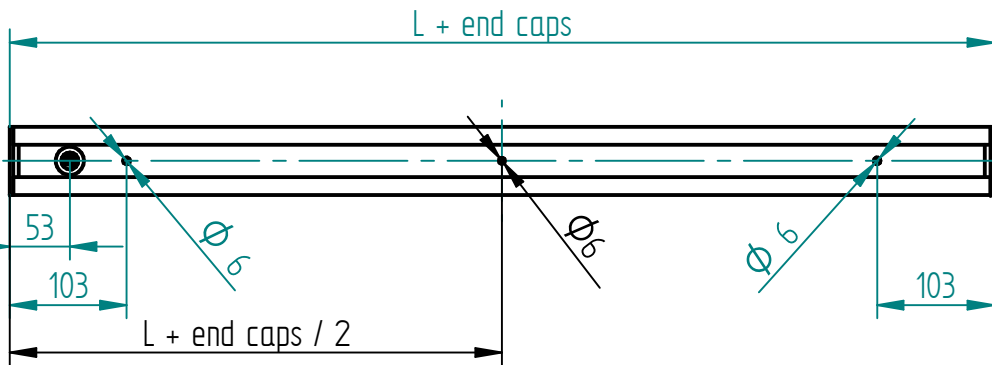
PROFILE 600



- PL Wyłączyć zasilanie przed wymianą lampy.
- EN Disconnect the unit before changing the lamp.
- F Debrancher l'appareil avant de changer la lampe.
- D Von den Auswechseln der lampe die Leuchte von der Netzspannung trennen.



L
8Ft = 2267
9Ft = 2548
10Ft = 2829



L + end caps
8Ft = 2273
9Ft = 2554
10Ft = 2835

- 1 - Pull the end cap
- 2 - Remove diffuser
- 3 - Open the locks and remove LED insert
- 3a - Disconnect the grounding wire from LED insert

KEYLIGHT

1 - Fix the profile to the ceiling

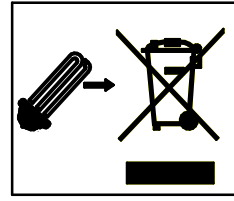
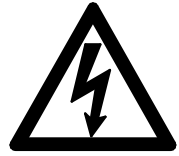
2 - Connect power cable according to the diagram

3 - Connect the grounding wire to the LED insert

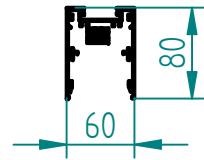
3 Attention: Because of electrostatic effect diffuser may take small dirt and dust. Clean diffusers with soft cloth f.ex. microfibra from dirt or dust direct before final assembly.

- 1 - Put the LED Insert into the profile and close the locks
- 2 - Push the diffuser into the profile - one click
- 3 - Insert the end cap

PROFILE 600 MIDDLE

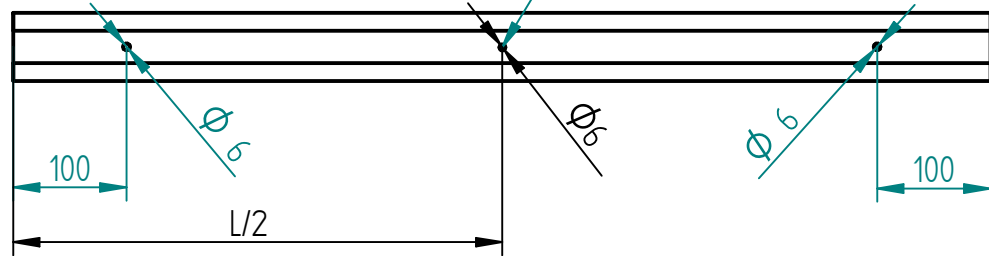


- PL Wyłączyć zasilanie przed wymianą lampy.
- EN Disconnect the unit before changing the lamp.
- F Debrancher l'appareil avant de changer la lampe.
- D Von den Auswechseln der lampe die Leuchte von der Netzspannung trennen.

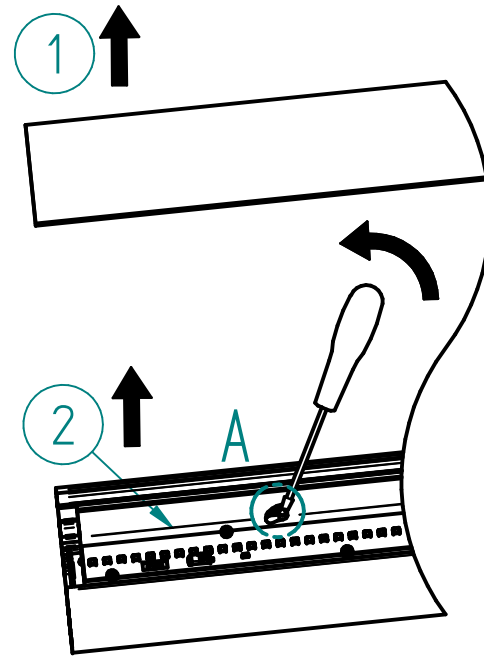
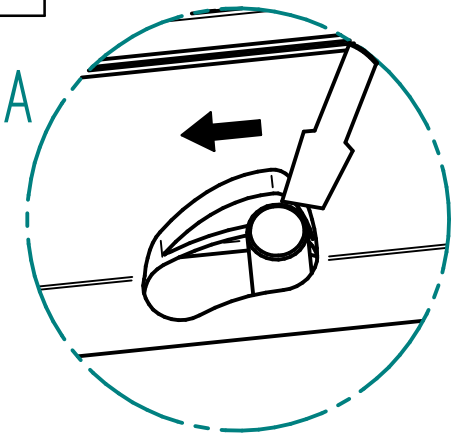


L
4Ft = 1124
5Ft = 1405
6Ft = 1686
7Ft = 1967
8Ft = 2248
9Ft = 2529
10Ft = 2810

No central hole in beam 4-7 Ft



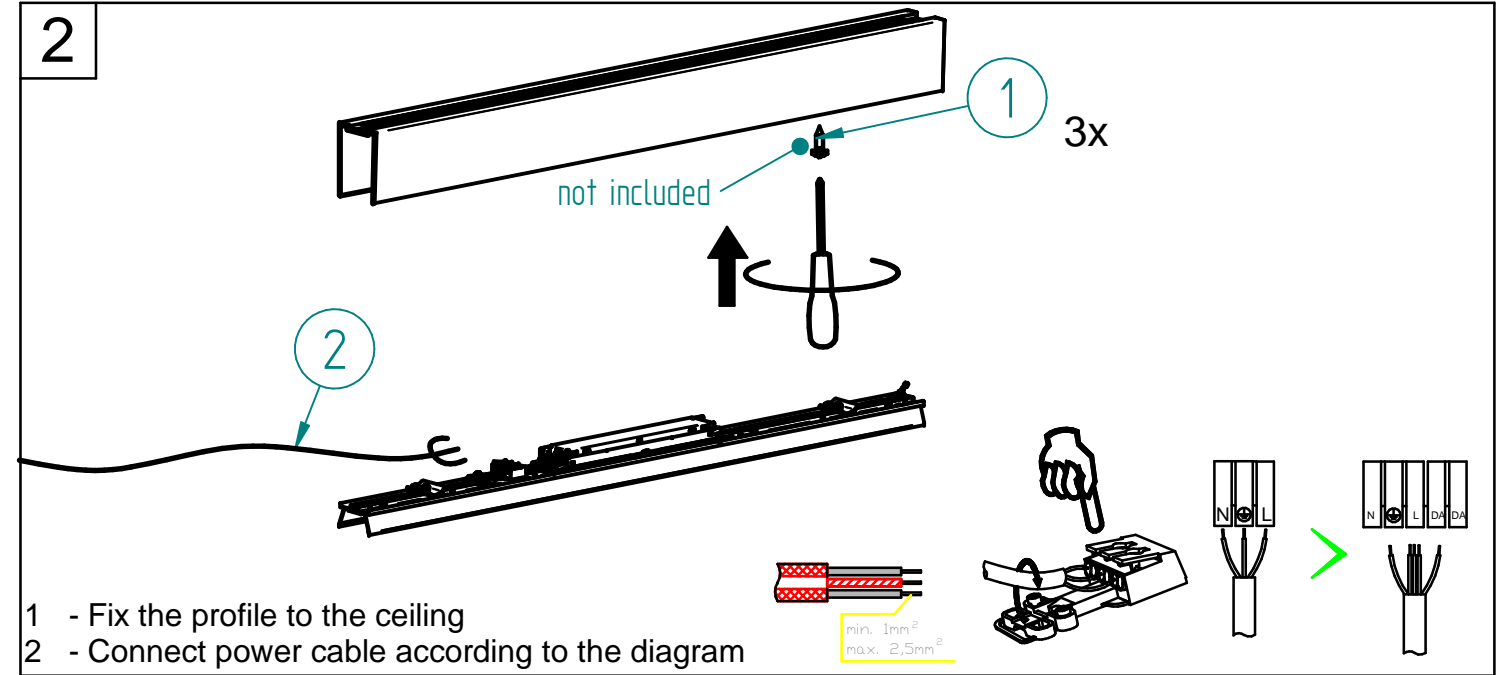
1



- 1 - Remove diffuser
- 2 - Open the locks and remove LED insert

KEYLIGHT

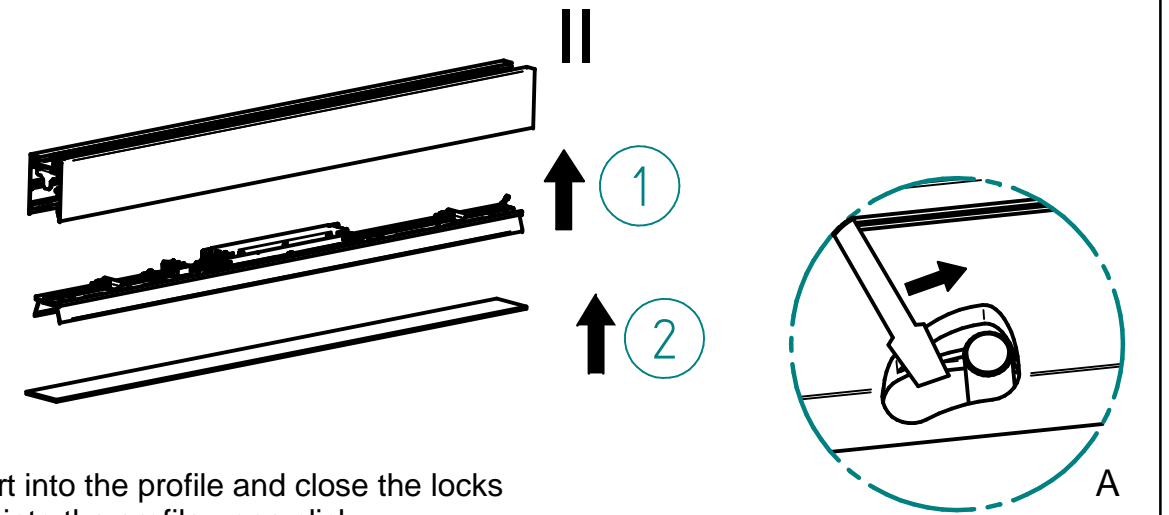
2



- 1 - Fix the profile to the ceiling
- 2 - Connect power cable according to the diagram

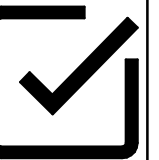
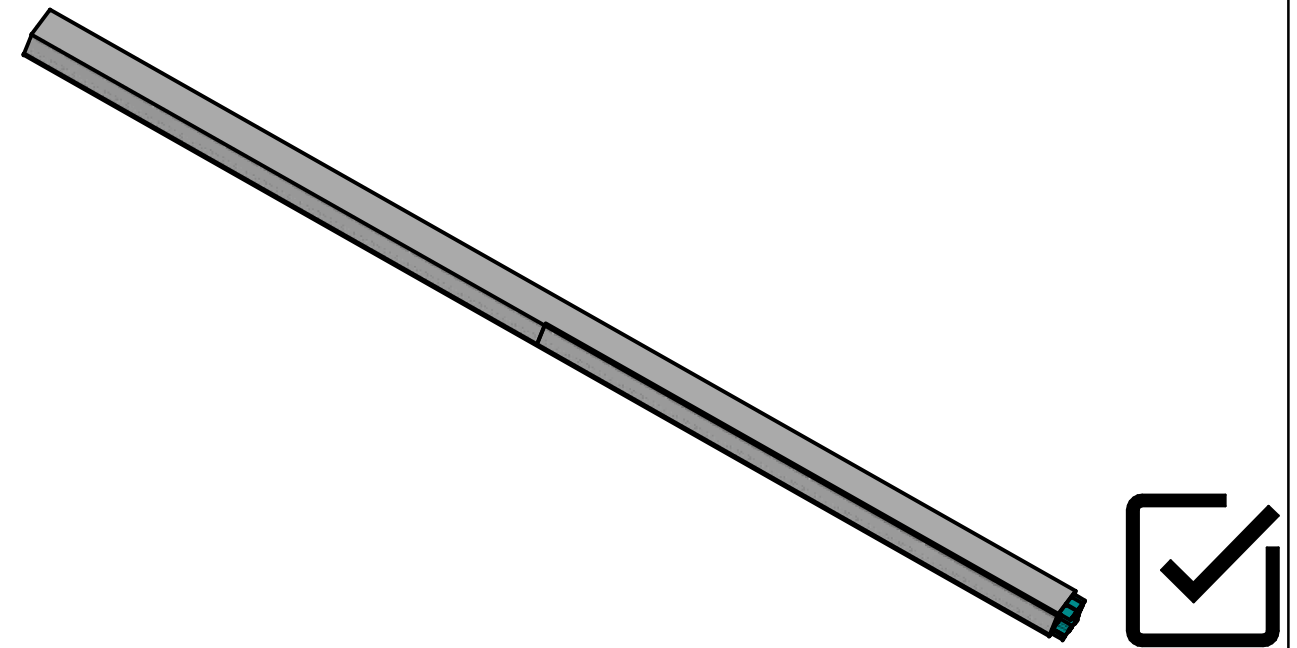
3

Attention: Because of electrostatic effect diffuser may take small dirt and dust. Clean diffusers with soft cloth f.ex. microfibr from dirt or dust direct before final assembly.

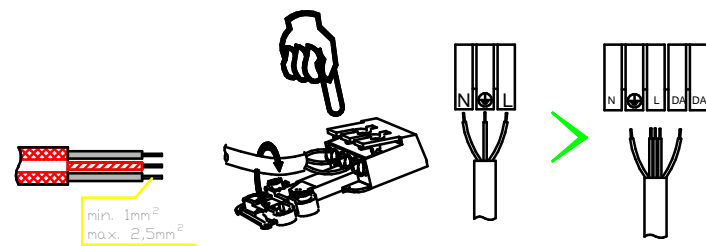
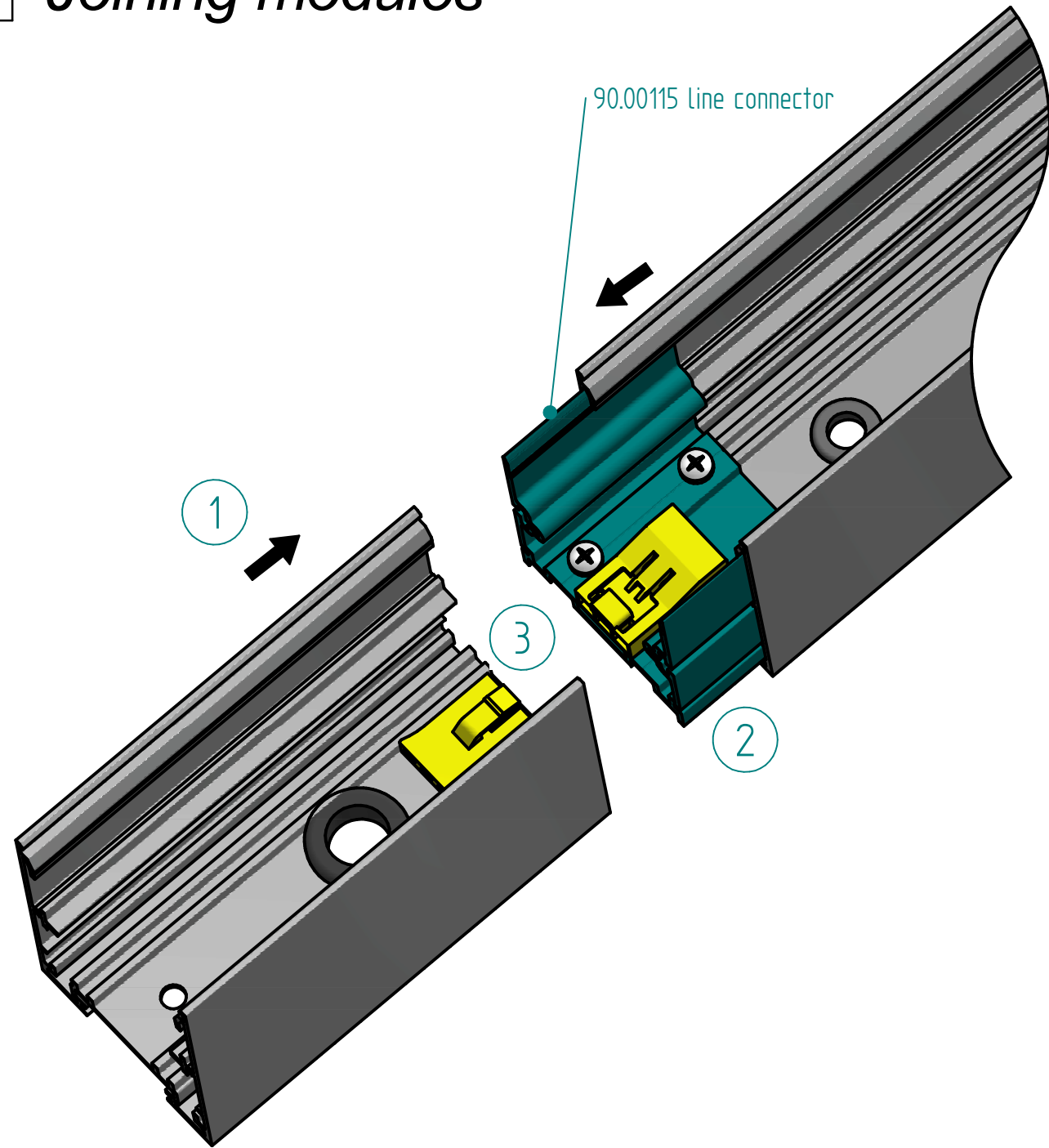


- 1 - Put the LED Insert into the profile and close the locks
- 2 - Push the diffuser into the profile - one click

4

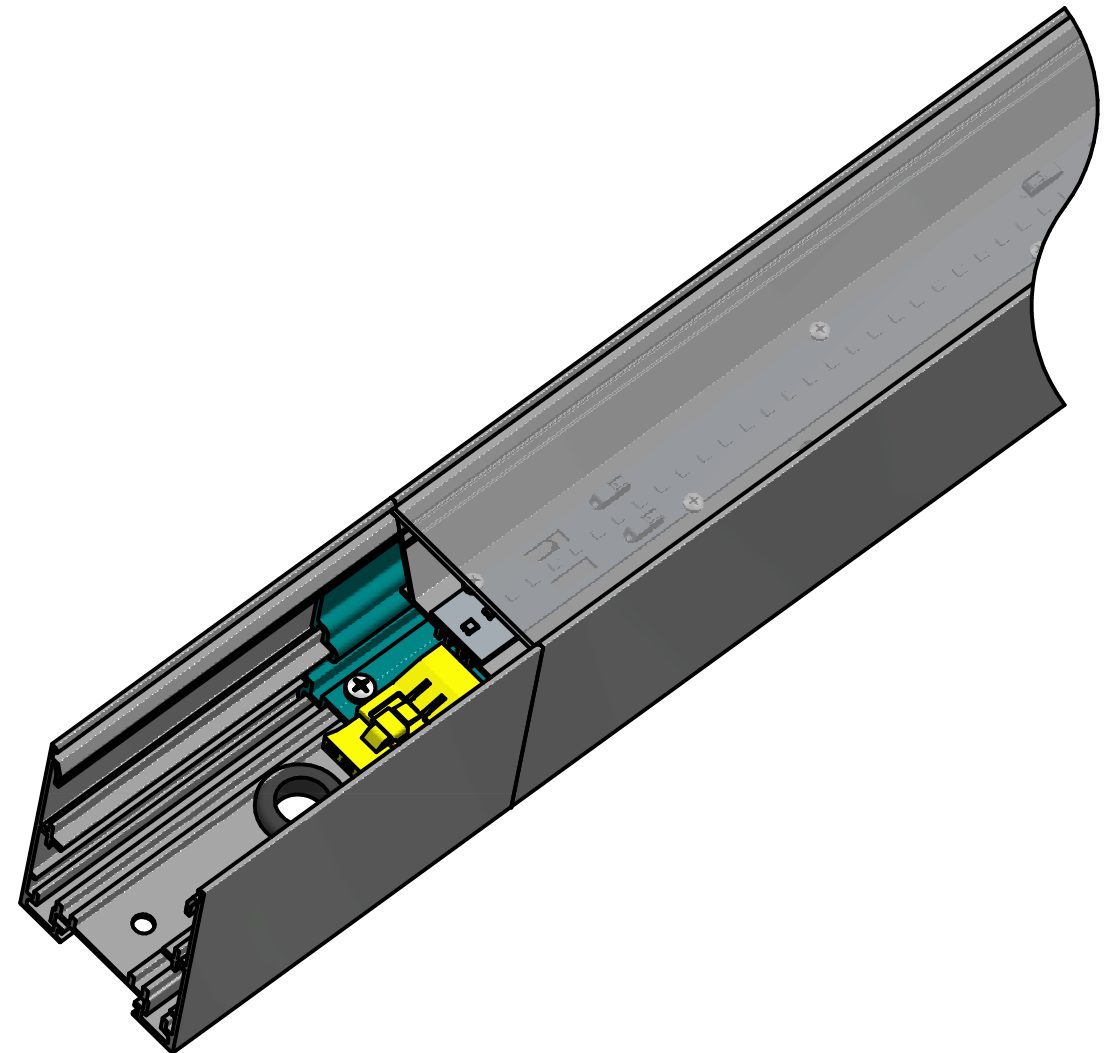
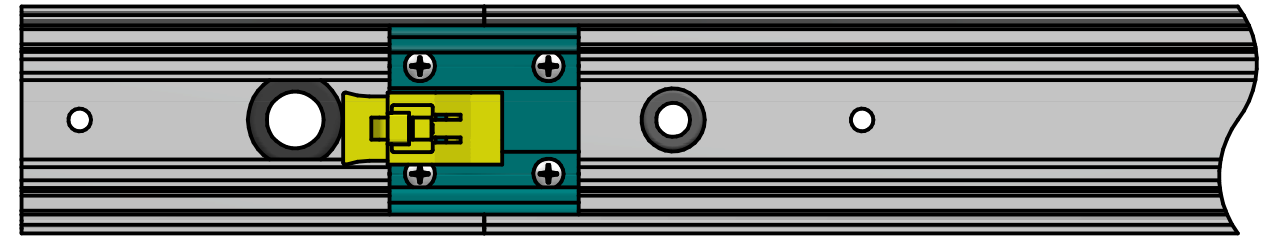


I - Joining modules



- 1 - Join profiles to each other
- 2 - Fix the line connector to the second profile by using philips driver
- 3 - Connect power cable according to the diagram or connect power plugs if 90.00112.MF / 90.00113.MF accessories are used

2



imperial[®]

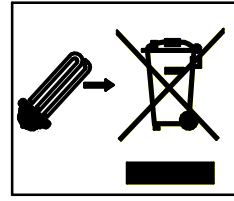
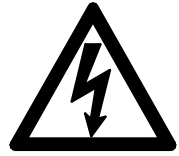
IMPERIAL Sp. zo.o.

Kołbrzeska 8E
78-200 Białogard
POLAND

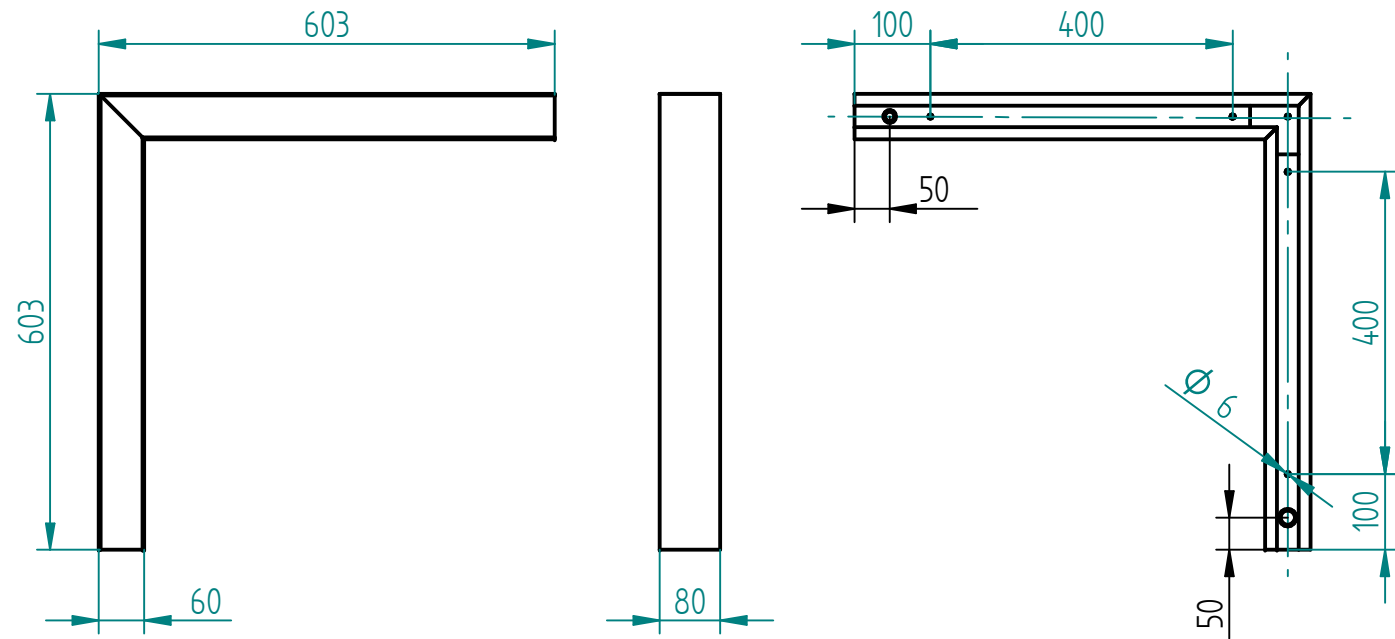
office@imperial.pl
www.imperial.pl
tel. +48 94 312 78 20



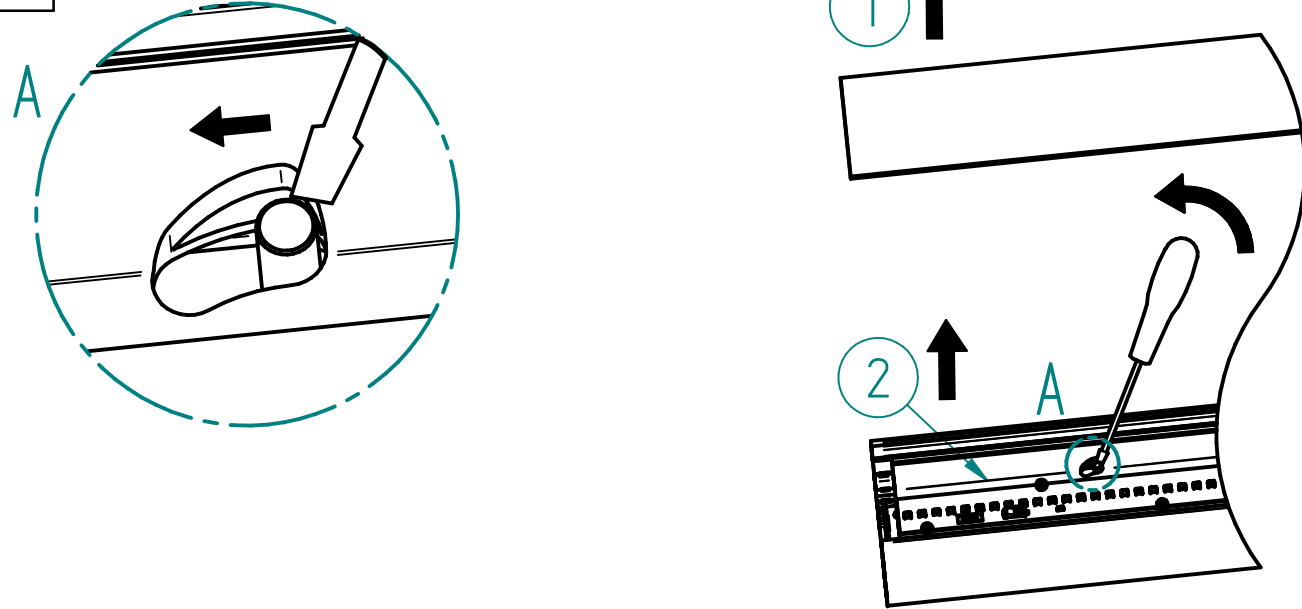
PROFILE 600 L



- PL Wyłączyć zasilanie przed wymianą lampy.
- EN Disconnect the unit before changing the lamp.
- F Debrancher l'appareil avant de changer la lampe.
- D Von den Auswechseln der lampe die Leuchte von der Netzspannung trennen.



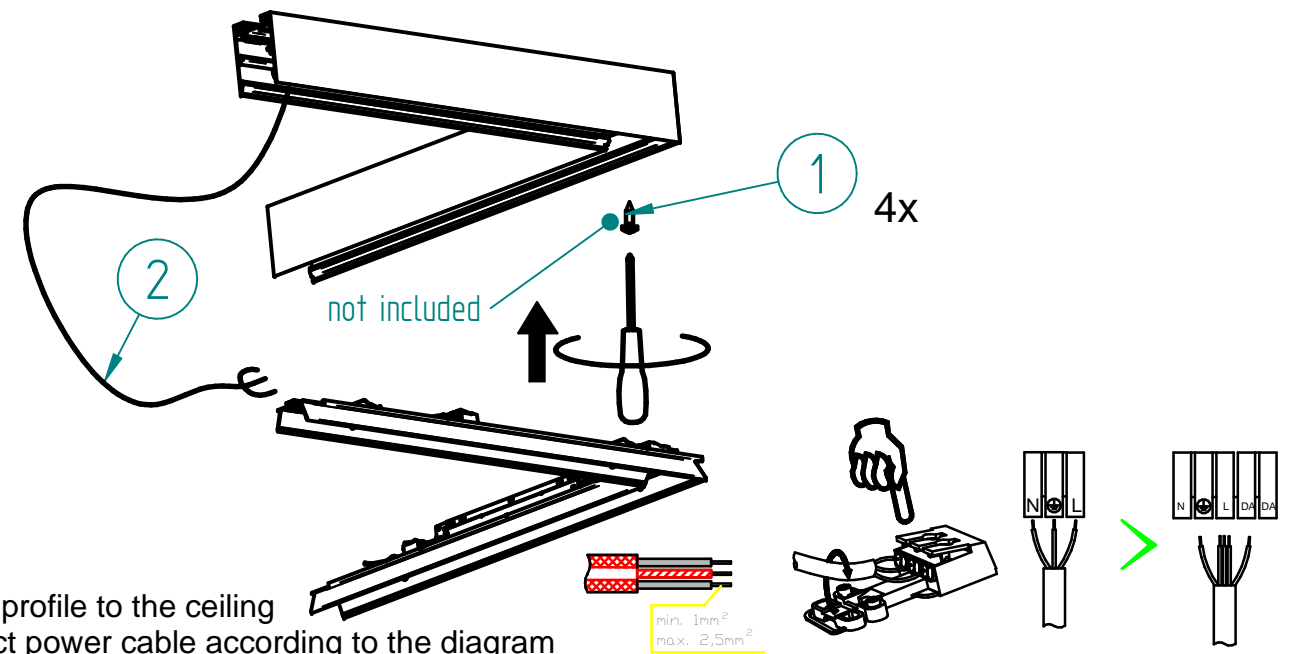
1



- 1 - Remove diffuser
- 2 - Open the locks and remove LED insert

KEYLIGHT

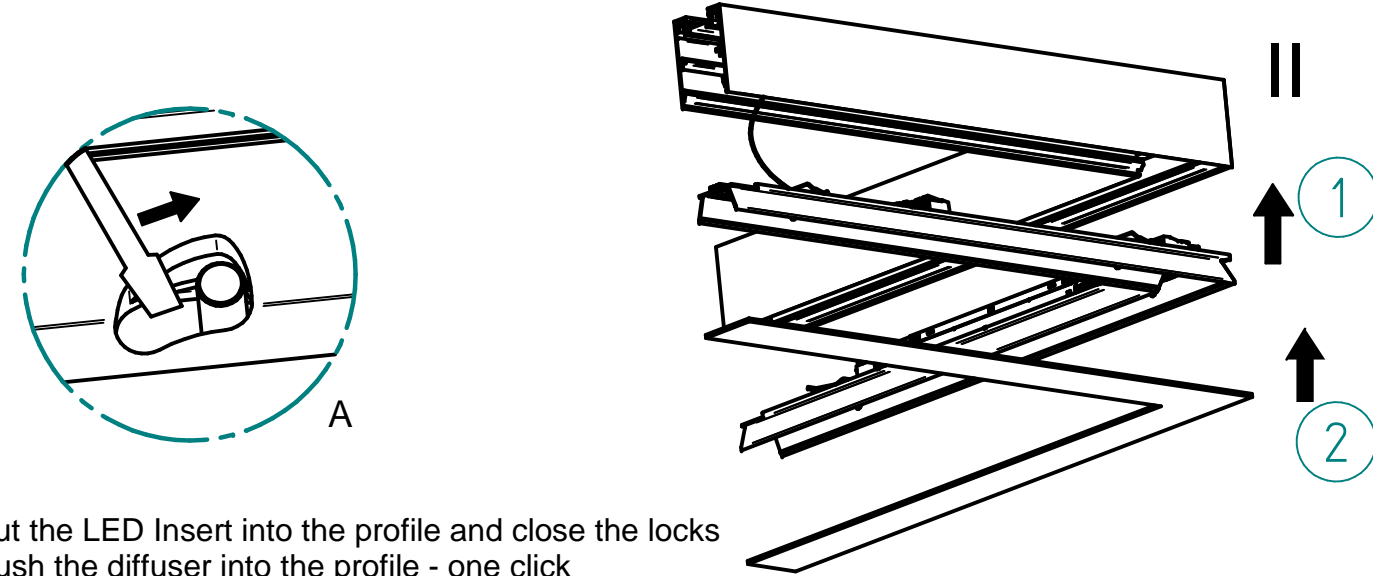
2



- 1 - Fix the profile to the ceiling
- 2 - Connect power cable according to the diagram

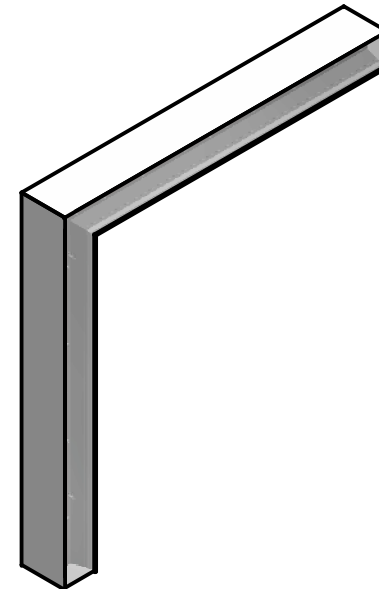
3

Attention: Because of electrostatic effect diffuser may take small dirt and dust. Clean diffusers with soft cloth f.ex. microfibra from dirt or dust direct before final assembly.

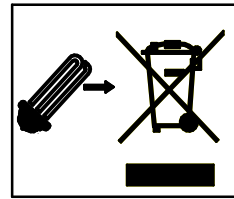
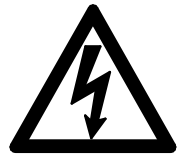


- 1 - Put the LED Insert into the profile and close the locks
- 2 - Push the diffuser into the profile - one click

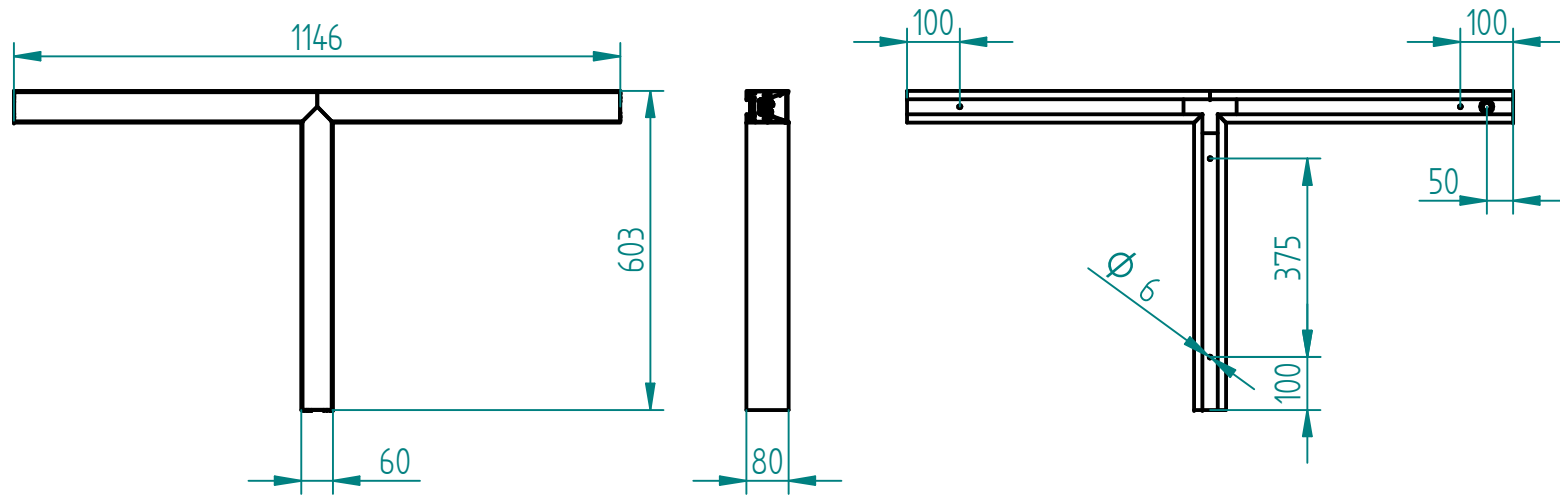
4



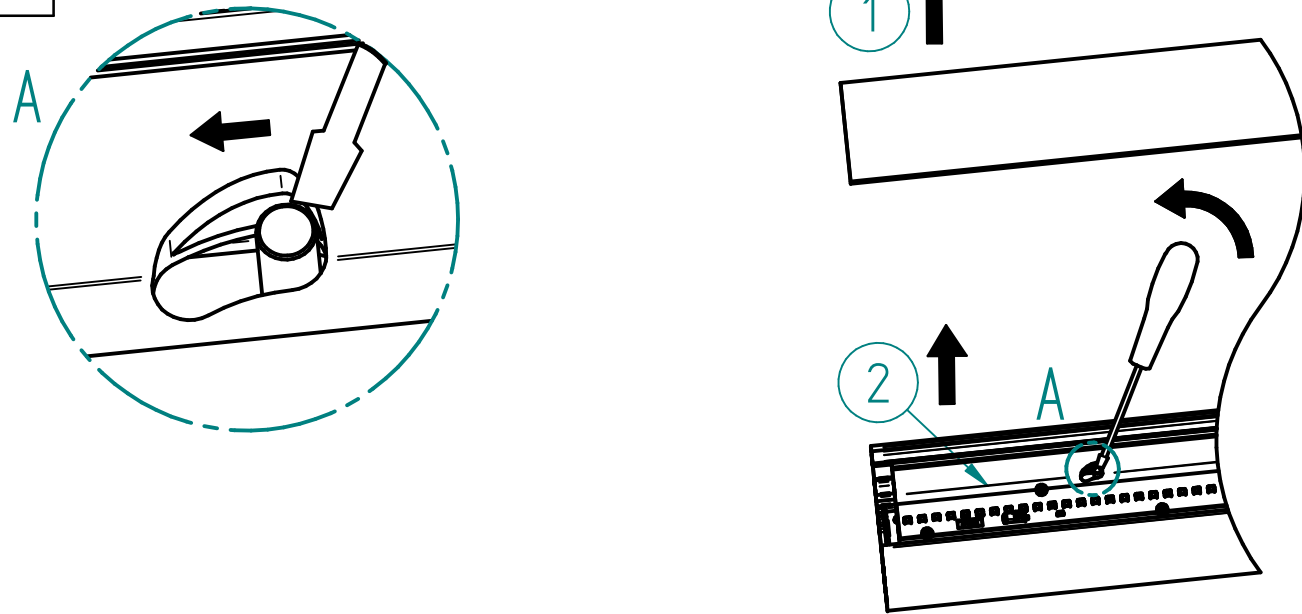
PROFILE 600 T



- PL Wyłączyć zasilanie przed wymianą lampy.
- EN Disconnect the unit before changing the lamp.
- F Debrancher l'appareil avant de changer la lampe.
- D Von den Auswechseln der lampe die Leuchte von der Netzspannung trennen.



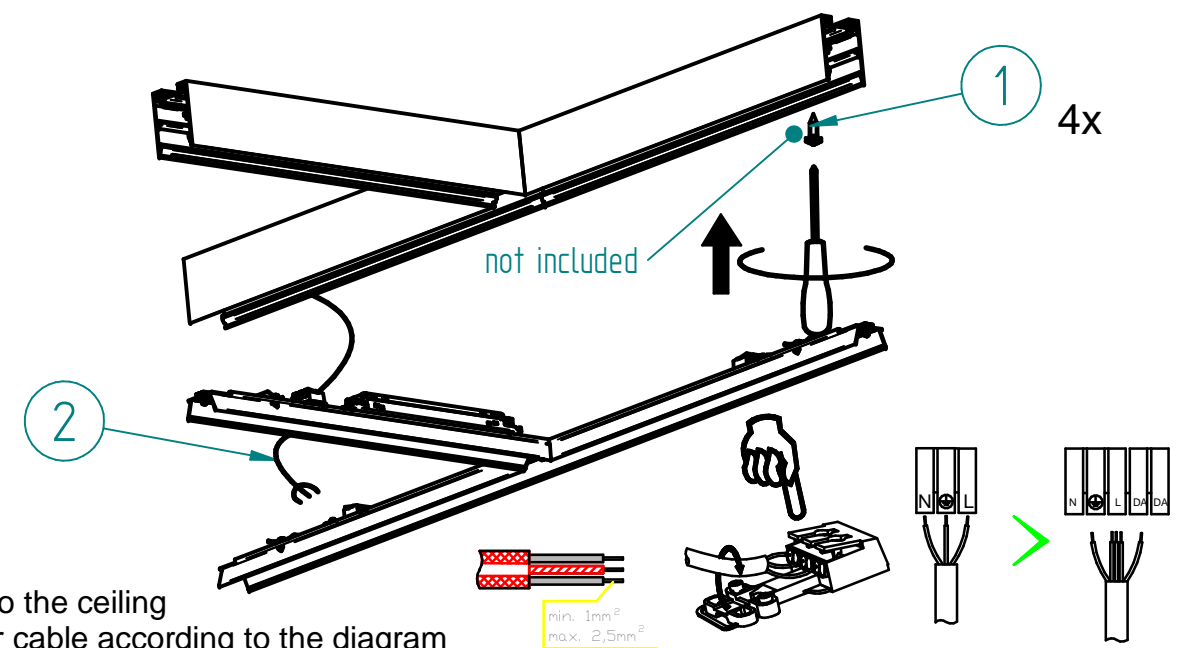
1



- 1 - Remove diffuser
- 2 - Open the locks and remove LED insert

KEYLIGHT

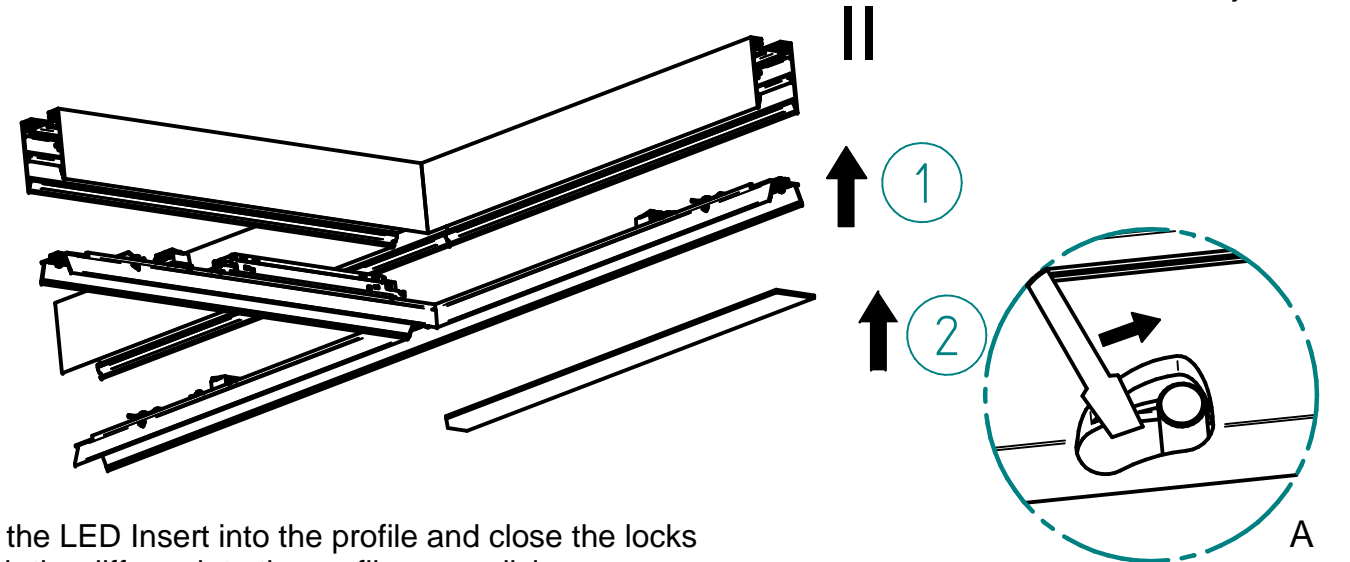
2



- 1 - Fix the profile to the ceiling
- 2 - Connect power cable according to the diagram

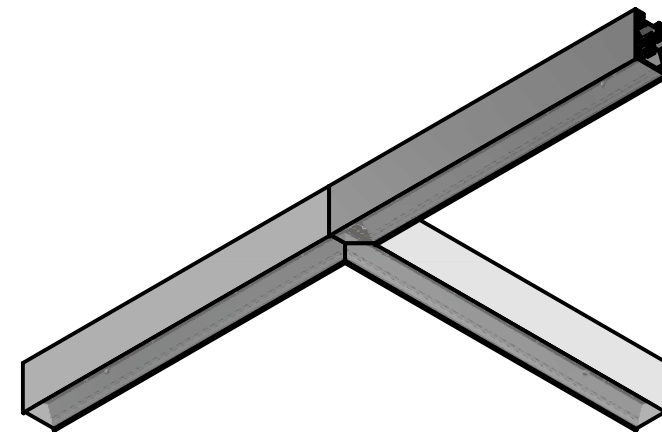
3

Attention: Because of electrostatic effect diffuser may take small dirt and dust. Clean diffusers with soft cloth f.ex. microfibra from dirt or dust direct before final assembly.

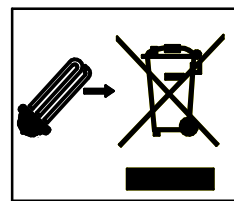
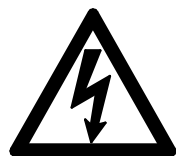


- 1 - Put the LED Insert into the profile and close the locks
- 2 - Push the diffuser into the profile - one click

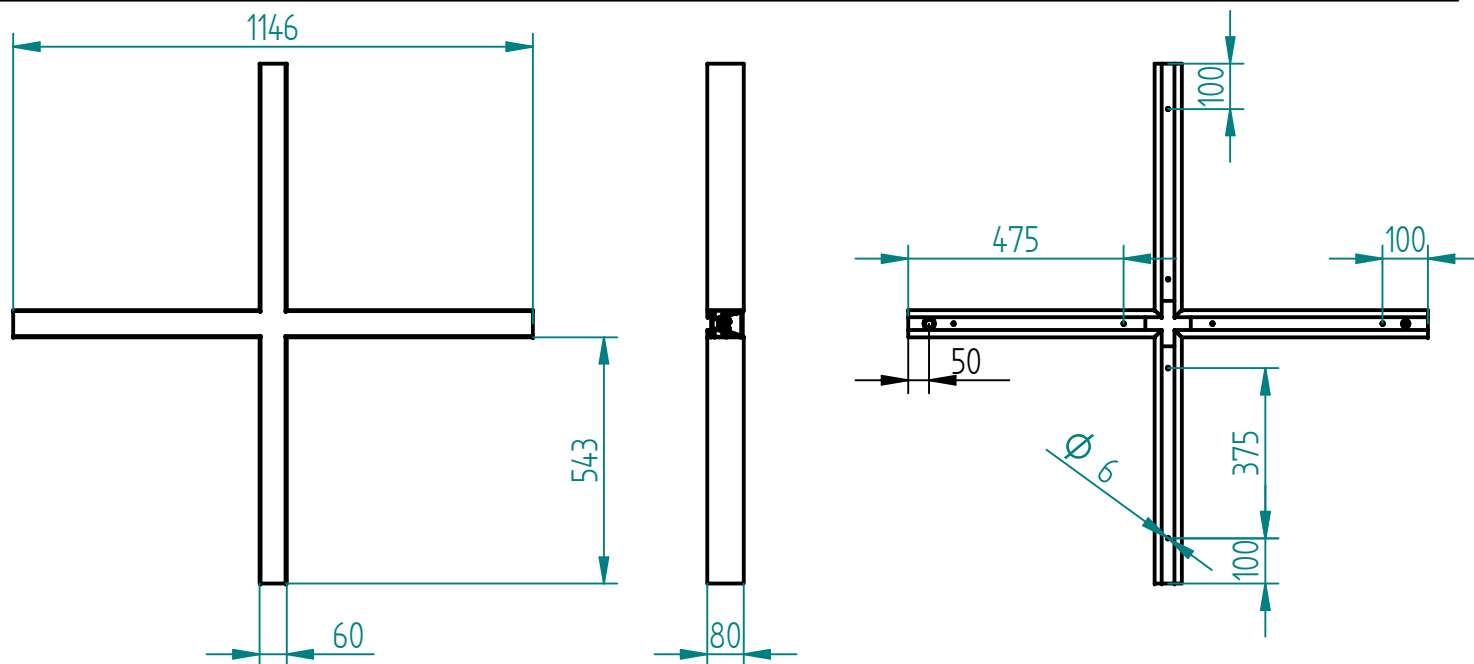
4



PROFILE 600 X



- PL Wyłączyć zasilanie przed wymianą lampy.
- EN Disconnect the unit before changing the lamp.
- F Debrancher l'appareil avant de changer la lampe.
- D Von den Auswechseln der lampe die Leuchte von der Netzspannung trennen.



1

1 - Remove diffuser
2 - Open the locks and remove LED insert

2

1 - Fix the profile to the ceiling
2 - Connect power cable according to the diagram

min. 1mm²
max. 2,5mm²

3 Attention: Because of electrostatic effect diffuser may take small dirt and dust. Clean diffusers with soft cloth f.ex. microfibr from dirt or dust direct before final assembly.

1 - Put the LED Insert into the profile and close the locks
2 - Push the diffuser into the profile - one click

4