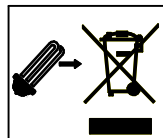
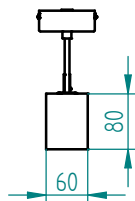


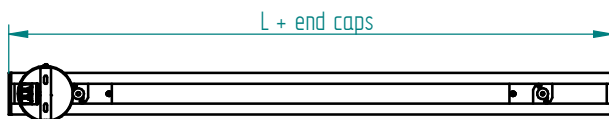
PROFILE 600 P



- PL Wyłączyć zasilanie przed wymianą lampy.
- EN Disconnect the unit before changing the lamp.
- F Debrancher l'appareil avant de changer la lampe.
- D Von den Auswechseln der lampe die Leuchte von der Netzspannung trennen.



L
2Ft = 581
3Ft = 862
4Ft = 1143
5Ft = 1424
6Ft = 1705
7Ft = 1986
8Ft = 2267
9Ft = 2548
10Ft = 2829



L + end caps
2Ft = 587
3Ft = 868
4Ft = 1149
5Ft = 1430
6Ft = 1711
7Ft = 1992
8Ft = 2273
9Ft = 2554
10Ft = 2835

1

- 1 - Unfix two side screws
- 2 - Remove ceiling base
- 3 - Remove suspension base by turning it counterclockwise

2

- 1 - Fix ceiling base and the suspension base to the ceiling
- 2 - Connect power cable according to the diagram
- 3 - Adjust suspension, and fix its position by two screws

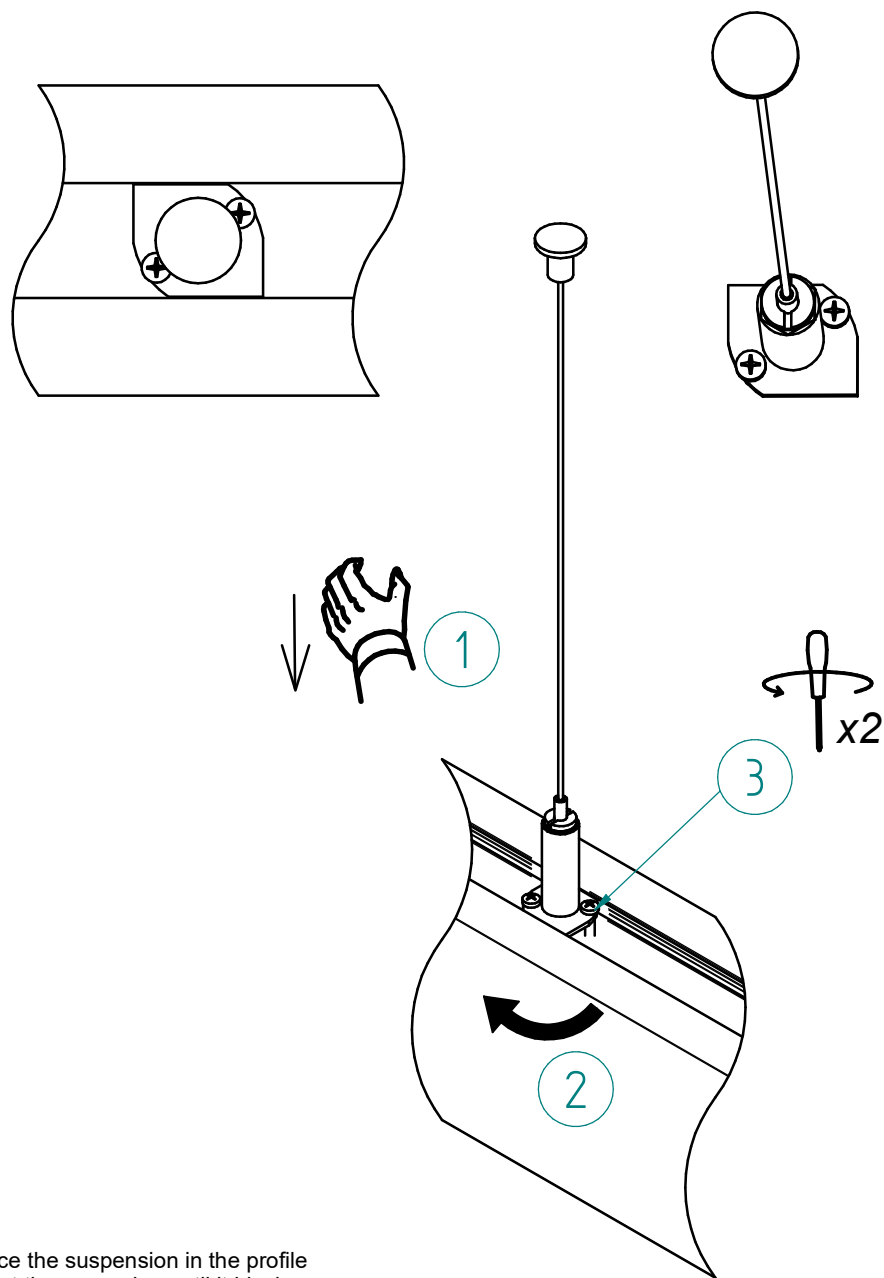
3

- 1 - Fix the suspension to the suspension base by turning it clockwise
- 2 - Attach the tube to the ceiling base, and secure it by two side screws

4

KEYLIGHT

1 - SUSPENSION



- 1 - Place the suspension in the profile
- 2 - Twist the suspension until it blocks
- 3 - Adjust and fix its position by two screws

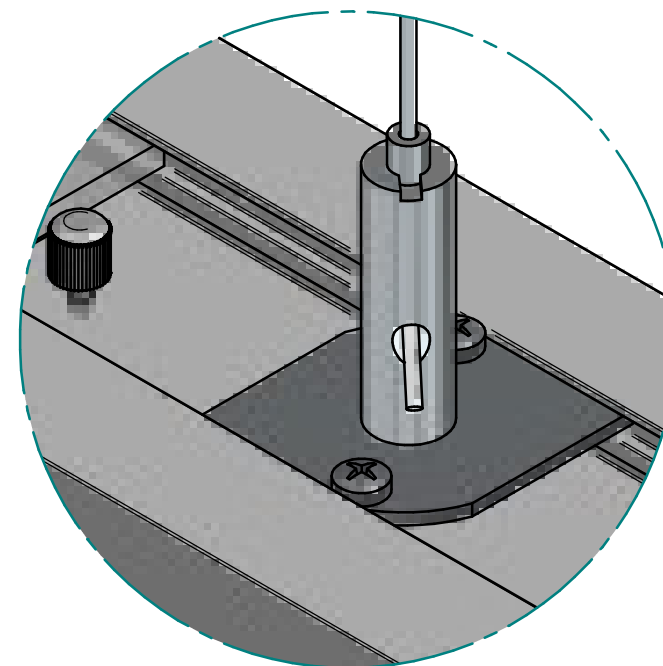
imperial[®]

IMPERIAL Sp. z o.o.

Kołobrzeska 8E
78-200 Białogard
POLAND

office@imperial.pl
www.imperial.pl
tel. +48 94 312 78 20

2



DETAIL A

