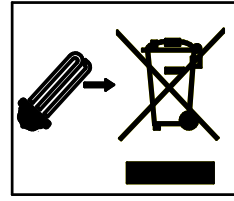
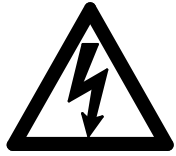
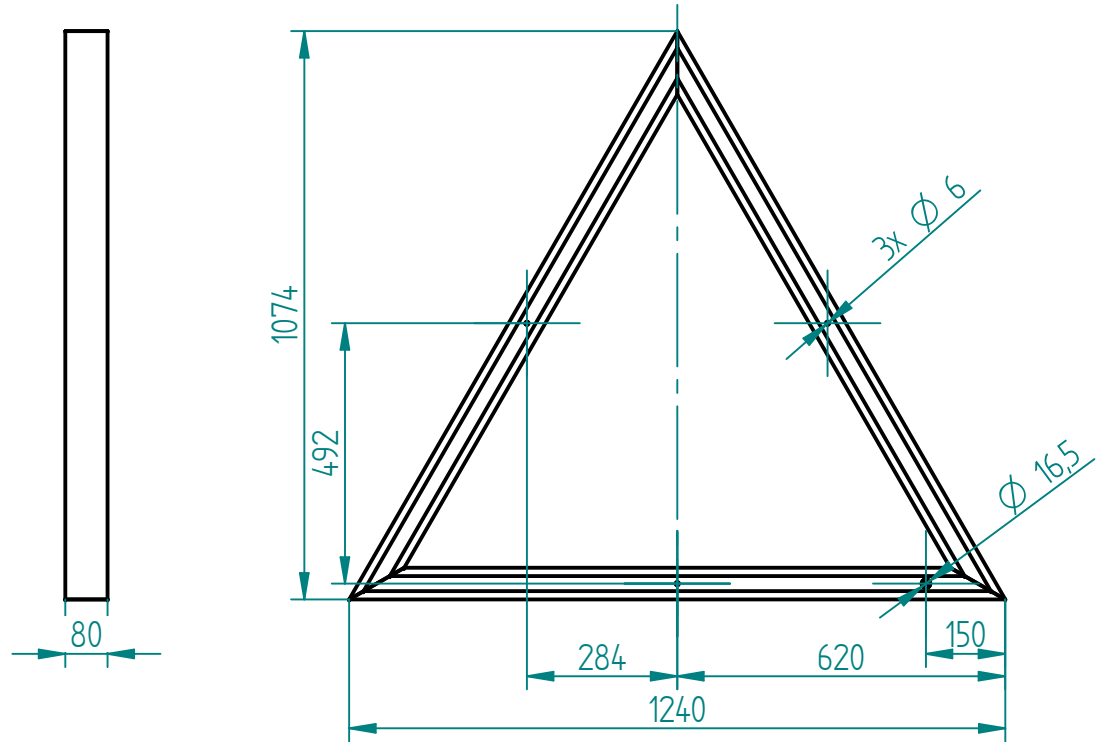


PROFILE TRI



PL Wyłączyć zasilanie przed wymianą lampy.
 EN Disconnect the unit before changing the lamp.
 F Debrancher l'appareil avant de changer la lampe.
 D Von den Auswechseln der lampe die Leuchte von der Netzspannung trennen.



1

1 - Remove diffuser
 2 - Open the locks and remove LED insert

KEYLIGHT

2

1 - Fix the profile to the ceiling
 2 - Connect power cable according to the diagram

3 Attention: Because of electrostatic effect diffuser may take small dirt and dust. Clean diffusers with soft cloth f.ex. microfibr from dirt or dust direct before final assembly.

1 - Put the LED Insert into the profile and close the locks
 2 - Push the diffuser into the profile - one click

4