

MODEL: RIBBLE

ITEM NO. 8251 .Δ



RoHS

IP65

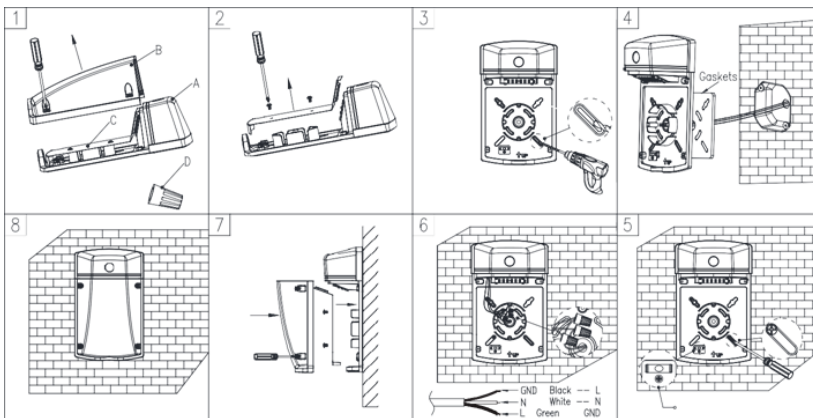
IMPORTANT NOTICE

1. To prevent electric shock, turn off electricity at fuse box before installing the lighting fixture, adding or changing accessory.
2. Ensure a distance of 75mm away from the lighting fixture for air ventilation and make sure to obey all fire regulations.
3. The distance between the lighting fixture and to be lighted up object must be at least 500mm.
4. Do not touch the lighting fixture when in use.
5. Do not cover the lighting fixture by any material at any time.
6. When installing or using this lighting fixture, basic safety precautions should always be followed.
7. Please refer to a qualified engineer if you have any questions by installation.
8. According to the EU Directive WEEE (Waste Electrical and Electronic Equipment) the luminaire must not be disposed of via inserted waste. It must be sent to the respective local facility for disposal and/or the recycling of electronic products.

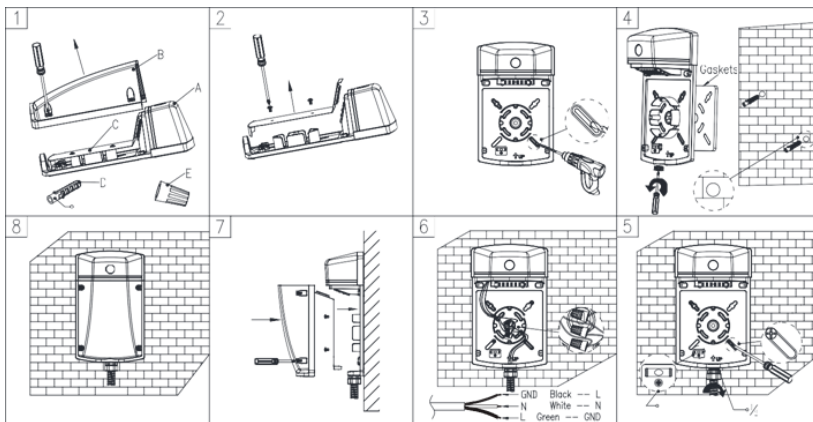
DAYLIGHT SENSOR

Turn-ON light level: 50 Lux

Turn-OFF light level: 150 Lux



Mounting with junction box



Mounting with a 1/2" conduit at the top