

NEW

SHELL B



<b>PRODUCT MATERIAL</b>	Steel and aluminium
<b>LIGHT SOURCE</b>	LED module
<b>MODULE LIFETIME</b>	Approx. 25.000 hours
<b>DRIVER</b>	Including Philips Xitanium driver
<b>COLORS (Δ)</b>	<ul style="list-style-type: none"> <li>○ 3 = RAL 9003 white</li> <li>● 5 = RAL 9005 black</li> <li>● 6 = RAL 9006 alu</li> </ul>
<b>REFLECTOR</b>	Aluminium white
<b>SIZE</b>	460 X 232mm



SHELL B

**OPTIONS**

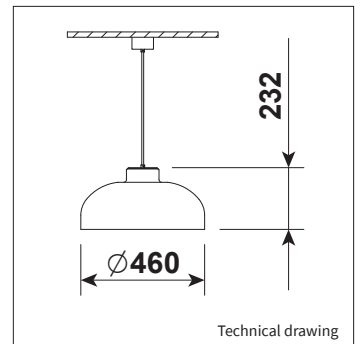
<b>COLORS</b>	Available in all RAL colours on request Additional price + 10%
<b>COLOR INSIDE ON REQUEST</b>	Also available: color combinations <ul style="list-style-type: none"> <li>● Gold</li> <li>○ White</li> <li>● Black</li> <li>● Aluminium color</li> <li>● Custom color on request</li> </ul>
<b>DIMMABLE</b>	DALI dimmable
<b>IP CLASS</b>	IP20 in standard, IP44 on request

**INFORMATION**

<b>WARRANTY</b>	5 Years
-----------------	---------

1.5m steel wire suspension set standard

Keylight International reserves the right to modify or change technical, construction or LED specifications due to continuous improvements of our products and light sources. The light source in this product can be replaced with an equivalent module made by Philips, Osram or Tridonic.



ART.NR.	LAMP TYPE	BRAND	LIGHT OUTPUT	MODULE POWER	MODULE EFFICIENCY	CORRELATED COLOUR TEMPERATURE	CLOUR RENDERING INDEX	TC LIFE
7027.199.00.Δ	LED module	Philips	1500lm	15W	100lm/W	2700K	>80	25.000 Hrs

Δ See colors