



PRODUCT MATERIAL	Steel and aluminium
LIGHT SOURCE	Philips LED module
MODULE LIFETIME	Approx. 50.000 hours
DRIVER	Including driver
COLORS (Δ)	<ul style="list-style-type: none"> ○ 3 = RAL 9003 white ● 5 = RAL 9005 black ● 6 = RAL 9006 alu
REFLECTOR	Aluminium white
SIZE	1500 X 90mm

OPTIONS

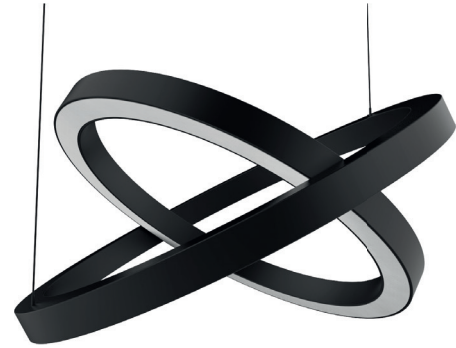
COLORS	Available in all RAL colours on request Additional price + 10%
EMERGENCY BALLAST	Art. no.: 0187.003.01.0 - 1 hour
DIMMABLE	DALI dimmable On request
DIFFUSER	White acrylic diffuser in standard Acrylic frosted, microprismatic or any other on request
IP CLASS	IP20 in standard, IP44 on request
MOVEMENT SENSOR	On request
DAYLIGHT CONTROL SENSOR	On request

INFORMATION

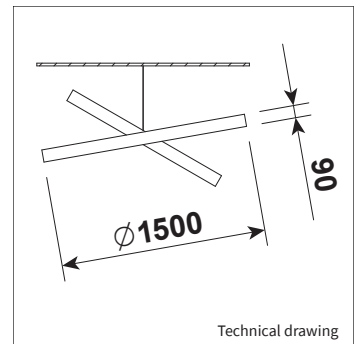
WARRANTY	5 Years
-----------------	---------

1.5m suspension set standard

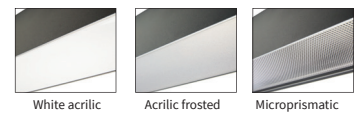
Keylight International reserves the right to modify or change technical, construction or LED specifications due to continuous improvements of our products and light sources. The light source in this product can be replaced with an equivalent module made by Philips, Osram or Tridonic.



SLIMMY TWIN



Technical drawing



White acrylic

Acrylic frosted

Microprismatic

ARTICLE NO.	LAMP TYPE	BRAND	LIGHT OUTPUT	MODULE POWER	MODULE EFFICIENCY	CORRELATED COLOUR TEMPERATURE	COLOUR RENDERING INDEX	TC LIFE
Δ see colors								
7732.000.30.Δ	LED module	Philips	29700lm	189W	157lm/W	3000K	>80	50.000 Hrs
7732.000.40.Δ	LED module	Philips	29700lm	189W	157lm/W	4000K	>80	50.000 Hrs