



PRODUCT MATERIAL	Die-cast aluminium
LIGHT SOURCE	Bridgelux DtW
DRIVER	Including phase cut dimmable driver
COLORS (Δ)	○ 3 = RAL 9003 white ● 5 = RAL 9005 black
BEAM ANGLE	24°
ADJUSTABLE	Rotating 350°, 55° tiltable
DIMMABLE	Yes
SIZE	292 X 62mm



OPTIONS

OPTIONAL BEAM ANGLE	 36° art. no.: 3066.010.36.0 50° art. no.: 3066.010.50.0
ANTI-GLARE RING	Gold mat anti-glare ring art. no.: 3066.030.00.9
HONEYCOMB	Art. no.: 3066.040.00.0
OPTION DRIVERS	Fixed output 500mA 11-20,5W art. no.: 0120.500.20.1 <hr/> Phase-cut dimmable 500mA 11-20,5W art. no.: 0120.500.20.1 <hr/> 1/10V dimmable 500mA 13-20W art. no.: 0120.500.30.3 <hr/> DALI dimmable 500mA 12-20W art. no.: 0120.500.40.2

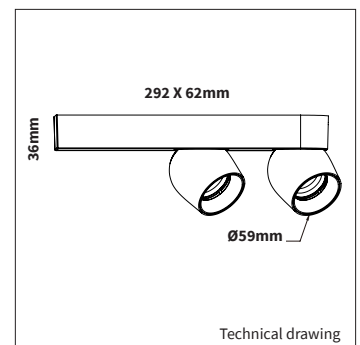
INFORMATION

WARRANTY	5 Years
-----------------	---------

Also available in track and recessed version

Keylight International reserves the right to modify or change technical, construction or LED specifications due to continuous improvements of our products and light sources. The light source in this product can be replaced with an equivalent module made by Philips, Osram or Tridonic. Full warranty only applies when fixture is purchased in combination with recommended driver.

VENUS DUO



Anti-glare ring



Honeycomb

ART.NR.	LAMP TYPE	BRAND	LUMINOUS FLUX	OUTPUT POWER	MODULE EFFICIENCY	COLOUR TEMPERATURE	CRI	TC LIFETIME	mA
Δ see colors									
5068.135.24.Δ	DtW	Bridgelux	2 X 900lm	2 X 10W	90lm/W	1800-3000K	>90	50.000 Hrs	500mA