



<b>PRODUCT MATERIAL</b>	Die-cast aluminium
<b>ADAPTER</b>	3-phase track adapter
<b>LIGHT SOURCE</b>	SLM G7
<b>DRIVER</b>	Including phase cut dimmable driver
<b>COLORS (Δ)</b>	○ 3 = RAL 9003 white ● 5 = RAL 9005 black
<b>BEAM ANGLE</b>	24°
<b>ADJUSTABLE</b>	Rotating 350°, 90° tiltable
<b>DIMMABLE</b>	Yes
<b>SIZE</b>	92 X 72mm



**OPTIONS**

<b>OPTIONAL BEAM ANGLE</b>	15° art. no.: 3067.010.15.0 36° art. no.: 3067.010.36.0 60° art. no.: 3067.010.60.0
<b>ANTI-GLARE RING</b>	Gold mat anti-glare ring art. no.: 3067.030.00.9
<b>HONEYCOMB</b>	Art.nr.: 3067.040.00.0

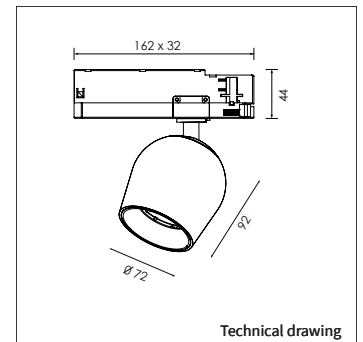
**INFORMATION**

<b>WARRANTY</b>	5 Years
-----------------	---------

Also available in surface and recessed version

Keylight International reserves the right to modify or change technical, construction or LED specifications due to continuous improvements of our products and lightsources. The light source in this product can be replaced with an equivalent module made by Philips, Osram or Tridonic.

VENUS T MIDI



Technical drawing



Anti-glare ring Honeycomb

**AVAILABLE SLM OPTIONS**

To order the correct product, please replace **COB\*** in the article number field with the COB code found on the last page of the catalogue

ARTICLE NUMBER Δ See colors	LUMINOUS FLUX	BRAND	OUTPUT POWER	COLOUR TEMPERATURE	CRI	SETTING	POWER FACTOR
3067. <b>COB*</b> .24.Δ	1100lm	Philips SLM G7	6W	827 / 830 / 835 / 840 / 850	>80	High Efficiency	>0,9
3067. <b>COB*</b> .24.Δ	1100lm	Philips SLM G7	8W	927 / 930	>90	High Efficiency	>0,9
3067. <b>COB*</b> .24.Δ	1100lm	Philips SLM G7	6W	830 Premium White	>80	High Efficiency	>0,9
3067. <b>COB*</b> .24.Δ	1100lm	Philips SLM G7	7W	930 / 935 / 940 Premium White	>90	High Efficiency	>0,9
3067. <b>COB*</b> .24.Δ	1100lm	Philips SLM G7	7W	930 Premium Color	>90	High Efficiency	>0,9
3067. <b>COB*</b> .24.Δ	1100lm	Philips SLM G6	11W	930 Crisp White	>90	High Efficiency	>0,9
3067. <b>COB*</b> .24.Δ	1100lm	Philips SLM G6	11W	925 Food Warm White	84	High Efficiency	>0,9
3067. <b>COB*</b> .24.Δ	1100lm	Philips SLM G6	11W	930 Food Premium Red	88	High Efficiency	>0,9
3067. <b>COB*</b> .24.Δ	2000lm	Philips SLM G7	12W	827 / 830 / 835 / 840 / 850	>80	High Efficiency	>0,9
3067. <b>COB*</b> .24.Δ	2000lm	Philips SLM G7	17W	927 / 930	>90	High Efficiency	>0,9
3067. <b>COB*</b> .24.Δ	2000lm	Philips SLM G7	12W	830 Premium White	>80	High Efficiency	>0,9
3067. <b>COB*</b> .24.Δ	2000lm	Philips SLM G7	17W	930 / 935 / 940 Premium White	>90	High Efficiency	>0,9
3067. <b>COB*</b> .24.Δ	2000lm	Philips SLM G7	17W	930 Premium Color	>90	High Efficiency	>0,9
3067. <b>COB*</b> .24.Δ	3000lm	Philips SLM G7	19W	827 / 830 / 835 / 840 / 850 / 857	>80	High Efficiency	>0,9
3067. <b>COB*</b> .24.Δ	3000lm	Philips SLM G7	20W	830 Premium White	>90	High Efficiency	>0,9

High efficiency is the standard Keylight setting for all SLM G6/G7 LED modules. For technical and warranty information regarding high efficiency, see last page of the catalogue. Standard system warranty is 5 years.