



WALLY



PRODUCT MATERIAL	Die-casting aluminium
LIGHT SOURCE	Lumileds 3030
MODULE LIFETIME	approx. 35.000 hours
DRIVER	Including driver
COLORS	● 7 = RAL 9007 dark grey
BEAM ANGLE	120°
SIZE	200 X 207mm

OPTIONS

DAYLIGHT SENSOR	Turn on light level: 10-16 Lux	
	Turn off light level: >65 Lux	
	8252.999.99.0	€ 0,00

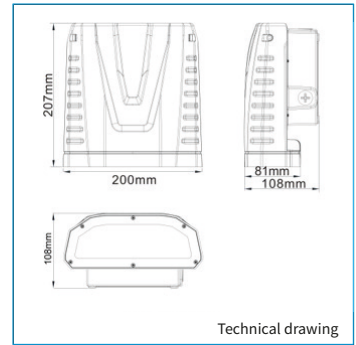
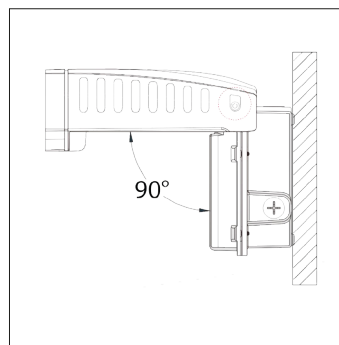
INFORMATION

WARRANTY	3 Years
-----------------	---------

Keylight International reserves the right to modify or change technical, construction or LED specifications due to continuous improvements of our products and lightsources.



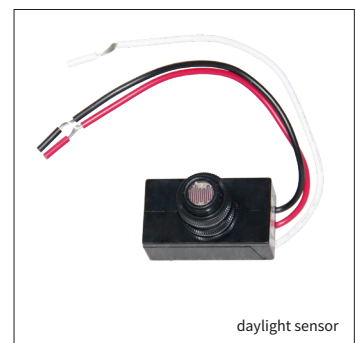
WALLY



Technical drawing



Wally with daylight sensor



daylight sensor

ART.NR.	LAMP TYPE	BRAND	LUMINOUS FLUX	OUTPUT POWER	MODULE EFFICIENCY	COLOUR TEMPERATURE	CRI	TC LIFETIME
8252.030.00.7	3030	Lumileds	3750lm	30W	125lm/W	4000K	>80	35.000 Hrs
8252.050.00.7	3030	Lumileds	6250lm	50W	125lm/W	4000K	>80	35.000 Hrs